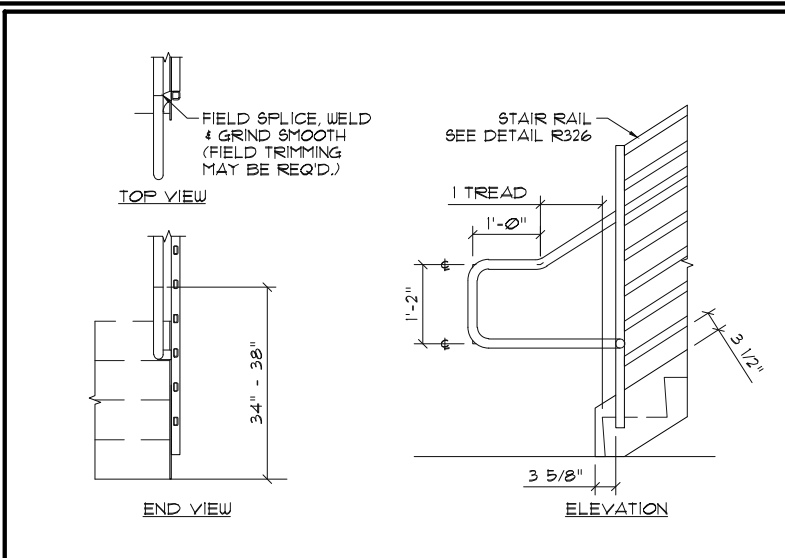


PACIFIC STAIR CORPORATION
8690 Stair Way NE Salem, OR 97305
www.pacificstair.com 1 503.390.8305

STARTER RAIL WITH OUT LEVEL OFF HANDRAIL
1. POST AND TOP LINE MATERIAL TO BE HSS 1 1/2" x 1 1/2" x 0.120"
2. HANDRAIL MATERIAL TO BE 1 1/2" (1.66" O.D.) PIPE
3. MID LINE MATERIAL TO BE HSS 1 1/2" x 3/4" x 0.083"

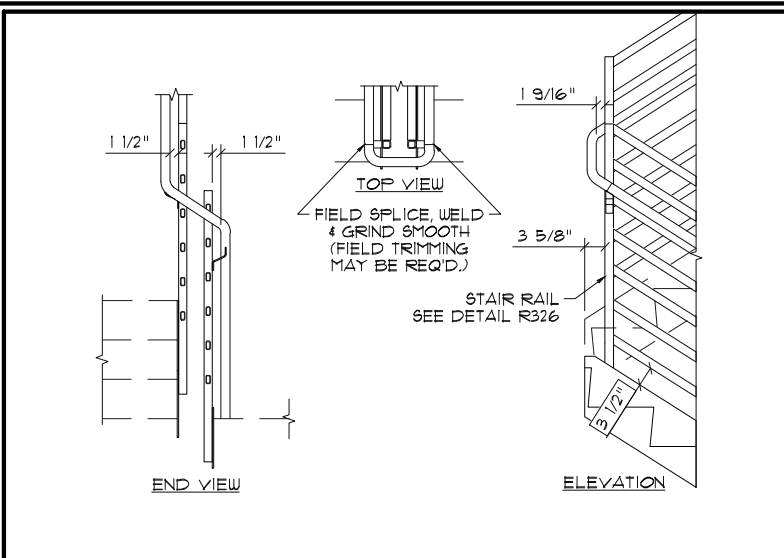
TUBE
R311



PACIFIC STAIR CORPORATION
8690 Stair Way NE Salem, OR 97305
www.pacificstair.com 1 503.390.8305

STARTER RAIL WITH LEVEL OFF HANDRAIL
1. POST AND TOP LINE MATERIAL TO BE HSS 1 1/2" x 1 1/2" x 0.120"
2. HANDRAIL MATERIAL TO BE 1 1/2" (1.66" O.D.) PIPE
3. MID LINE MATERIAL TO BE HSS 1 1/2" x 3/4" x 0.083"

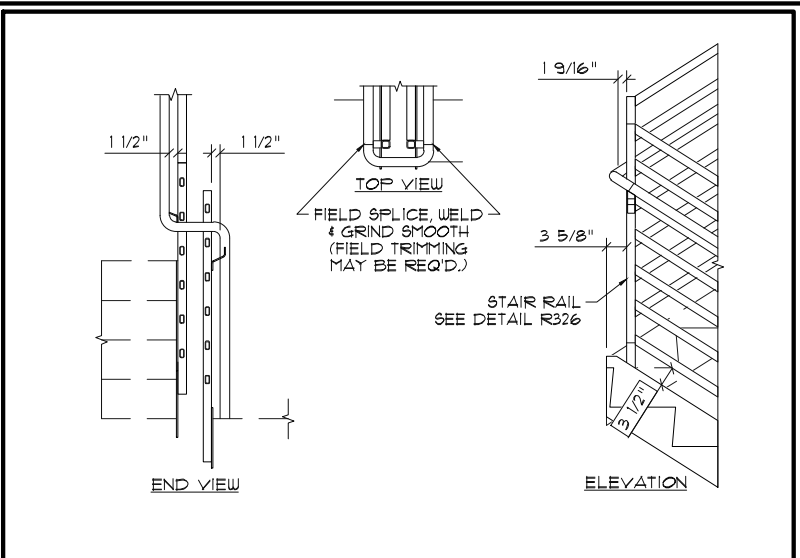
TUBE
R317



PACIFIC STAIR CORPORATION
8690 Stair Way NE Salem, OR 97305
www.pacificstair.com 1 503.390.8305

RAIL WITH STANDARD TOP - STANDARD BOTTOM
1. POST AND TOP LINE MATERIAL TO BE HSS 1 1/2" x 1 1/2" x 0.120"
2. HANDRAIL MATERIAL TO BE 1 1/2" (1.66" O.D.) PIPE
3. MID LINE MATERIAL TO BE HSS 1 1/2" x 3/4" x 0.083"

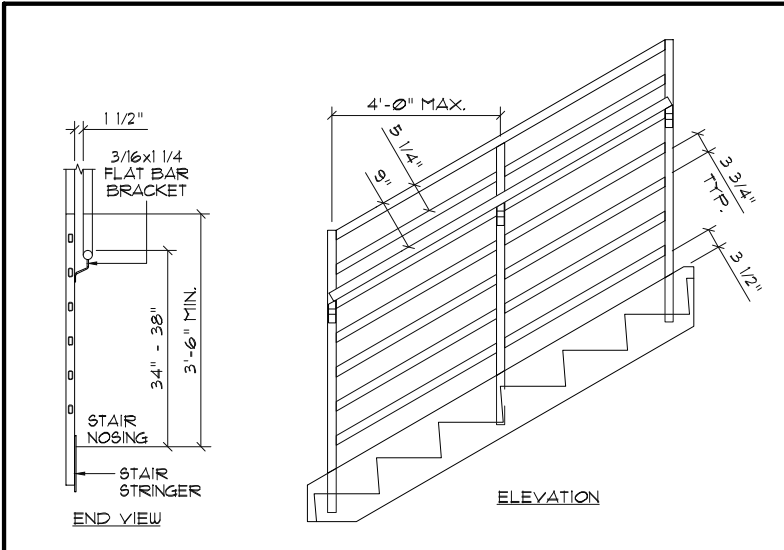
TUBE
R320



PACIFIC STAIR CORPORATION
8690 Stair Way NE Salem, OR 97305
www.pacificstair.com 1 503.390.8305

RAIL AT STANDARD TOP - EXTENDED BOTTOM
1. POST AND TOP LINE MATERIAL TO BE HSS 1 1/2" x 1 1/2" x 0.120"
2. HANDRAIL MATERIAL TO BE 1 1/2" (1.66" O.D.) PIPE
3. MID LINE MATERIAL TO BE HSS 1 1/2" x 3/4" x 0.083"

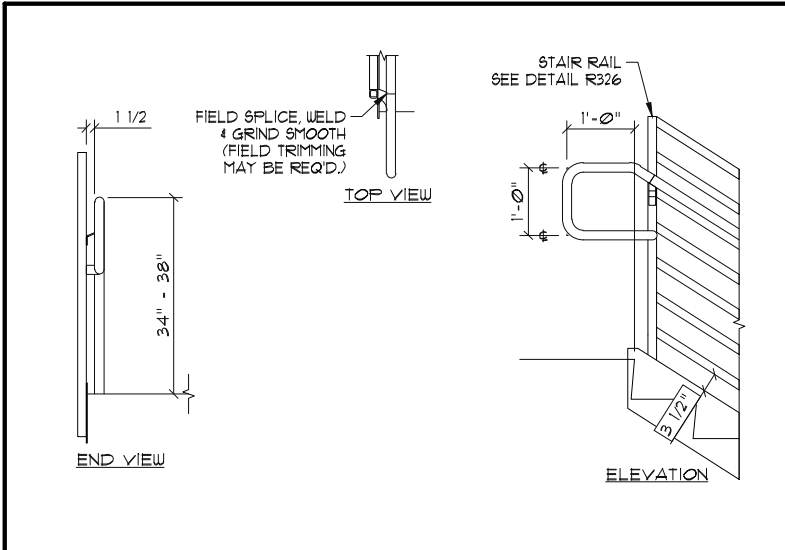
TUBE
R321



PACIFIC STAIR CORPORATION
8690 Stair Way NE Salem, OR 97305
www.pacificstair.com 1 503.390.8305

STAIR RAIL CONSTRUCTION
1. POST AND TOP LINE MATERIAL TO BE HSS 1 1/2" x 1 1/2" x 0.120"
2. HANDRAIL MATERIAL TO BE 1 1/2" (1.66" O.D.) PIPE
3. MID LINE MATERIAL TO BE HSS 1 1/2" x 3/4" x 0.083"

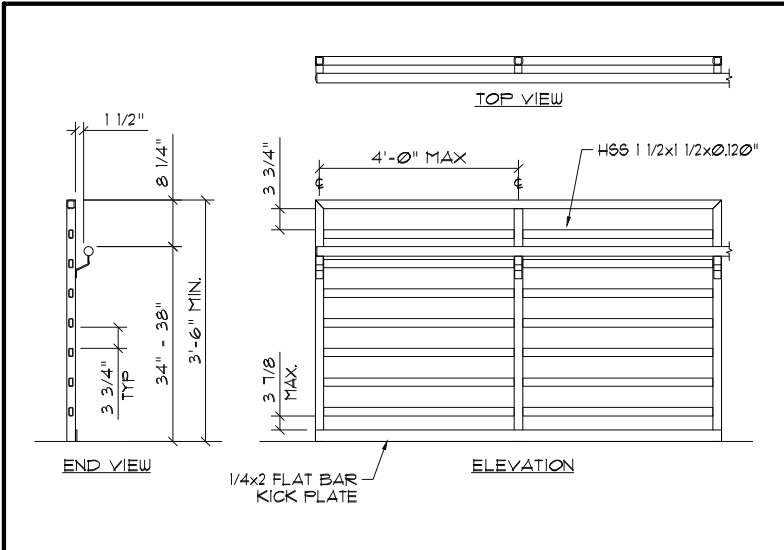
TUBE
R326



PACIFIC STAIR CORPORATION
8690 Stair Way NE Salem, OR 97305
www.pacificstair.com 1 503.390.8305

TOP GUARD RAIL WITH STANDARD HANDRAIL RETURN
1. POST AND TOP LINE MATERIAL TO BE HSS 1 1/2" x 1 1/2" x 0.120"
2. HANDRAIL MATERIAL TO BE 1 1/2" (1.66" O.D.) PIPE
3. MID LINE MATERIAL TO BE HSS 1 1/2" x 3/4" x 0.083"

TUBE
R331



PACIFIC STAIR CORPORATION
8690 Stair Way NE Salem, OR 97305
www.pacificstair.com 1 503.390.8305

STANDARD GUARD RAIL WITH HANDRAIL
1. POST AND TOP LINE MATERIAL TO BE HSS 1 1/2" x 1 1/2" x 0.120"
2. HANDRAIL MATERIAL TO BE 1 1/2" (1.66" O.D.) PIPE
3. MID LINE MATERIAL TO BE HSS 1 1/2" x 3/4" x 0.083"

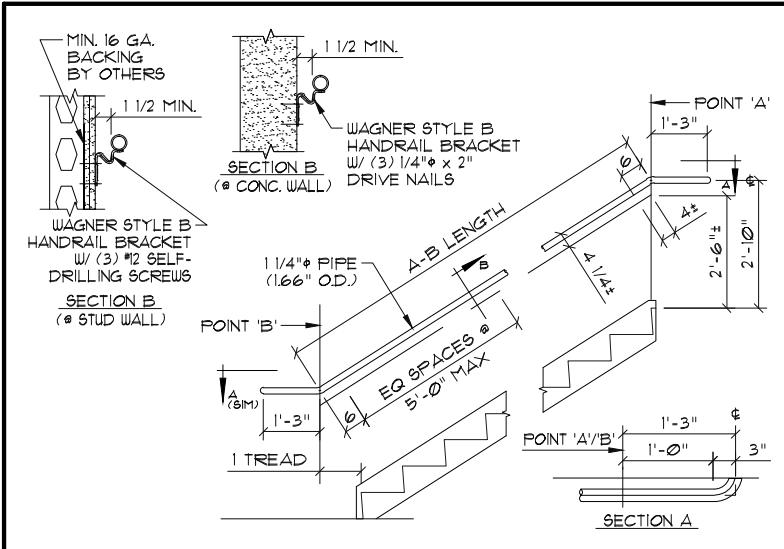
TUBE
R337



PACIFIC STAIR CORPORATION
8690 Stair Way NE Salem, OR 97305
www.pacificstair.com 1 503.390.8305

RAIL AT STANDARD TOP - EXTENDED BOTTOM
1. POST AND TOP LINE MATERIAL TO BE HSS 1 1/2" x 1 1/2" x 0.120"
2. HANDRAIL MATERIAL TO BE 1 1/2" (1.66" O.D.) PIPE
3. MID LINE MATERIAL TO BE HSS 1 1/2" x 3/4" x 0.083"

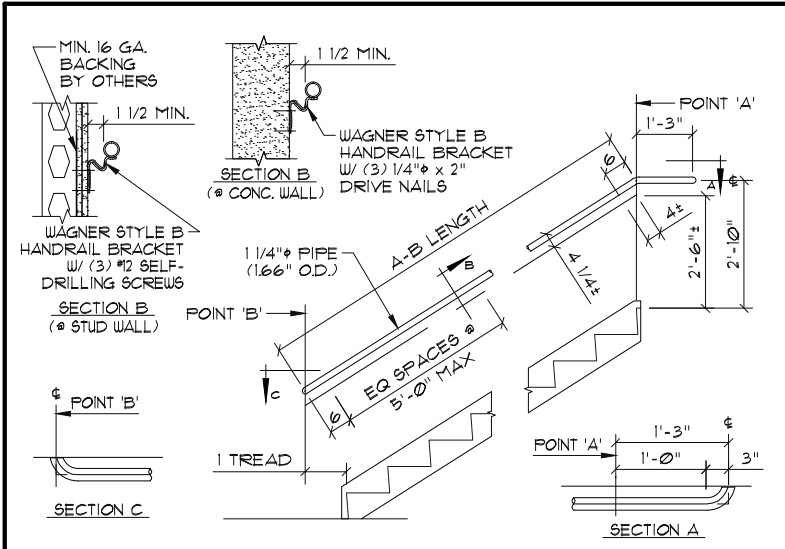
TUBE
R322



PACIFIC STAIR CORPORATION
8690 Stair Way NE Salem, OR 97305
www.pacificstair.com 1 503.390.8305

WALL RAIL WITH BOTTOM LEVEL OFF
1. HANDRAIL TO BE 1 1/2" (1.66" O.D.) PIPE
2. STANDARD WAGNER STYLE B HANDRAIL BRACKET

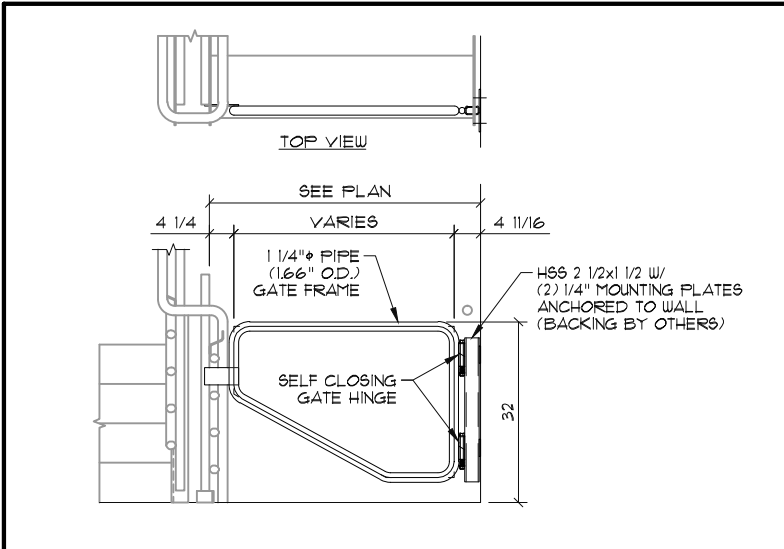
MISC.
R001



PACIFIC STAIR CORPORATION
8690 Stair Way NE Salem, OR 97305
www.pacificstair.com 1 503.390.8305

WALL RAIL WITH OUT BOTTOM LEVEL OFF
1. HANDRAIL TO BE 1 1/2" (1.66" O.D.) PIPE
2. STANDARD WAGNER STYLE B HANDRAIL BRACKET

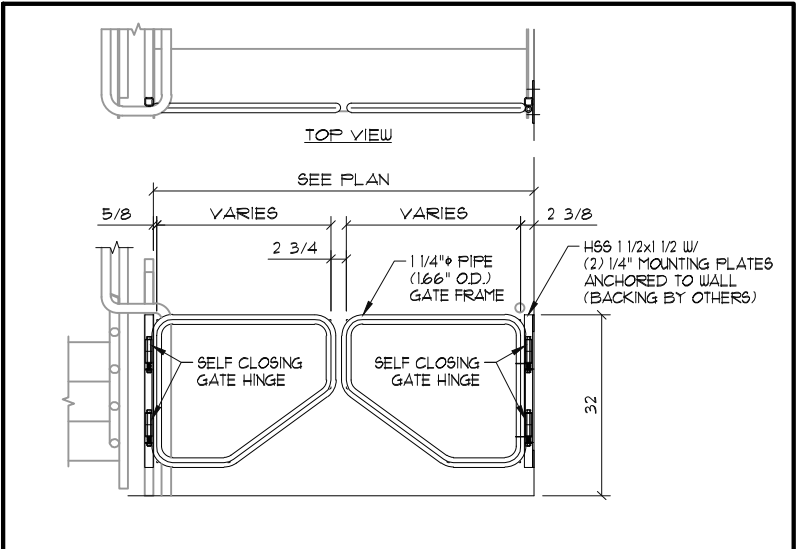
MISC.
R002



PACIFIC STAIR CORPORATION
8690 Stair Way NE Salem, OR 97305
www.pacificstair.com 1 503.390.8305

SINGLE SWING GATE
1. GATE MATERIAL TO BE 1 1/2" (1.66" O.D.) PIPE

MISC.
R003



PACIFIC STAIR CORPORATION
8690 Stair Way NE Salem, OR 97305
www.pacificstair.com 1 503.390.8305

DOUBLE SWING GATE
1. GATE MATERIAL TO BE 1 1/2" (1.66" O.D.) PIPE

MISC.
R004

R300 SERIES TUBE RAIL