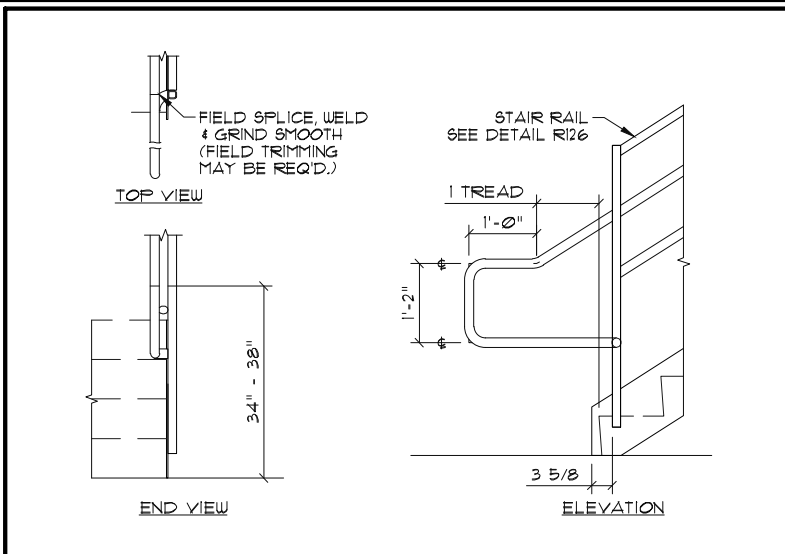


**PACIFIC STAIR CORPORATION**  
8690 Stair Way NE Salem, OR 97305  
www.pacificstair.com 1 503.390.8305

**STARTER RAIL WITH OUT LEVEL OFF HANDRAIL**  
1. POST AND TOP LINE MATERIAL TO BE H85 1 1/2" x 1 1/2" x 0.120"  
2. HANDRAIL & MID LINE MATERIAL TO BE 1 1/2" (1.66" O.D.) PIPE

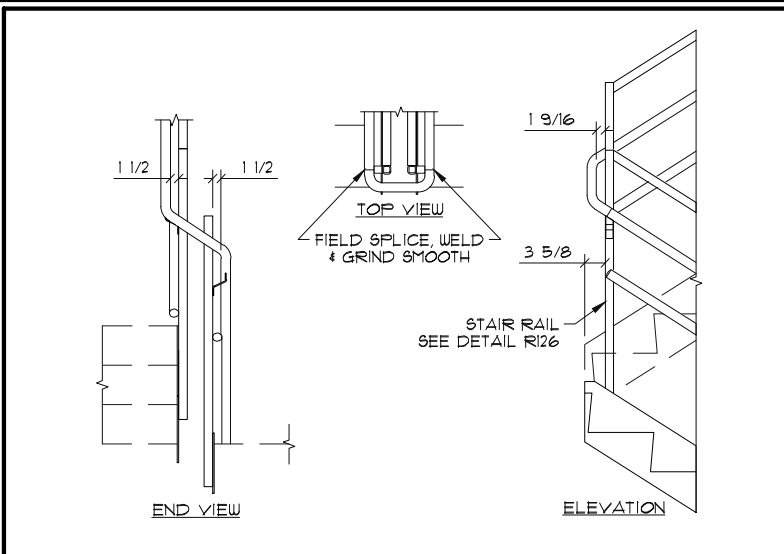
TWO LINE  
**R111**



**PACIFIC STAIR CORPORATION**  
8690 Stair Way NE Salem, OR 97305  
www.pacificstair.com 1 503.390.8305

**STARTER RAIL WITH LEVEL OFF HANDRAIL**  
1. POST AND TOP LINE MATERIAL TO BE H85 1 1/2" x 1 1/2" x 0.120"  
2. HANDRAIL & MID LINE MATERIAL TO BE 1 1/2" (1.66" O.D.) PIPE

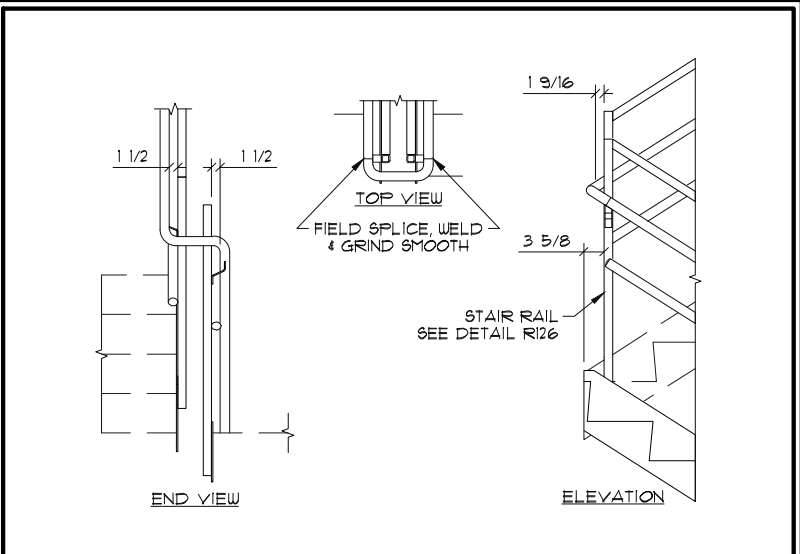
TWO LINE  
**R117**



**PACIFIC STAIR CORPORATION**  
8690 Stair Way NE Salem, OR 97305  
www.pacificstair.com 1 503.390.8305

**RAIL WITH STANDARD TOP - STANDARD BOTTOM**  
1. POST AND TOP LINE MATERIAL TO BE H85 1 1/2" x 1 1/2" x 0.120"  
2. HANDRAIL & MID LINE MATERIAL TO BE 1 1/2" (1.66" O.D.) PIPE

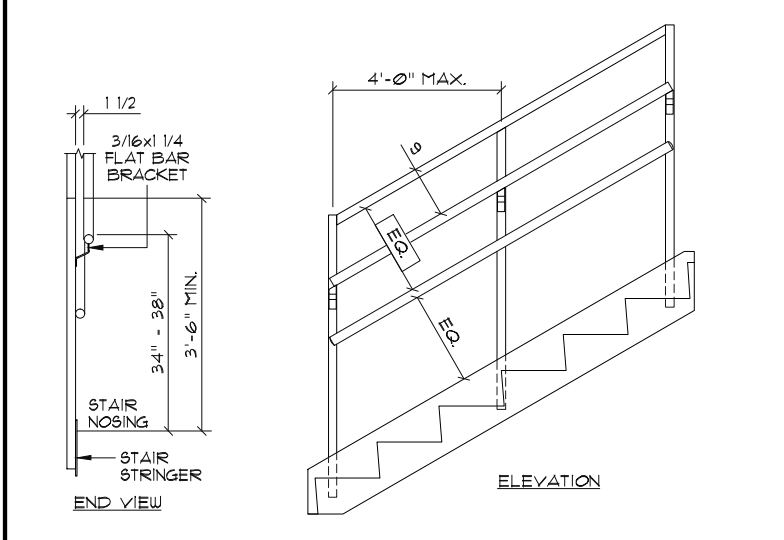
TWO LINE  
**R120**



**PACIFIC STAIR CORPORATION**  
8690 Stair Way NE Salem, OR 97305  
www.pacificstair.com 1 503.390.8305

**RAIL WITH STANDARD TOP - EXTENDED BOTTOM**  
1. POST AND TOP LINE MATERIAL TO BE H85 1 1/2" x 1 1/2" x 0.120"  
2. HANDRAIL & MID LINE MATERIAL TO BE 1 1/2" (1.66" O.D.) PIPE

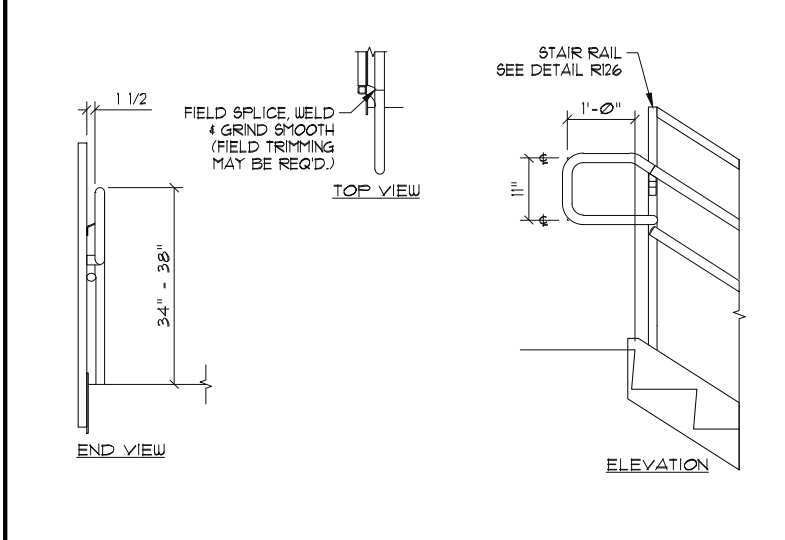
TWO LINE  
**R121**



**PACIFIC STAIR CORPORATION**  
8690 Stair Way NE Salem, OR 97305  
www.pacificstair.com 1 503.390.8305

**STAIR RAIL CONSTRUCTION**  
1. POST AND TOP LINE MATERIAL TO BE H85 1 1/2" x 1 1/2" x 0.120"  
2. HANDRAIL & MID LINE MATERIAL TO BE 1 1/2" (1.66" O.D.) PIPE

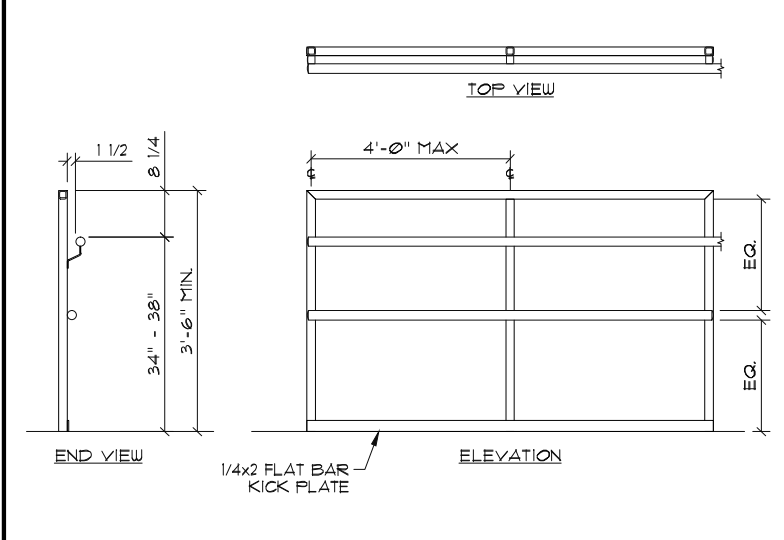
TWO LINE  
**R126**



**PACIFIC STAIR CORPORATION**  
8690 Stair Way NE Salem, OR 97305  
www.pacificstair.com 1 503.390.8305

**TOP GUARD RAIL WITH STANDARD HANDRAIL RETURN**  
1. POST AND TOP LINE MATERIAL TO BE H85 1 1/2" x 1 1/2" x 0.120"  
2. HANDRAIL & MID LINE MATERIAL TO BE 1 1/2" (1.66" O.D.) PIPE

TWO LINE  
**R131**



**PACIFIC STAIR CORPORATION**  
8690 Stair Way NE Salem, OR 97305  
www.pacificstair.com 1 503.390.8305

**STANDARD GUARD RAIL WITH HANDRAIL**  
1. POST AND TOP LINE MATERIAL TO BE H85 1 1/2" x 1 1/2" x 0.120"  
2. HANDRAIL & MID LINE MATERIAL TO BE 1 1/2" (1.66" O.D.) PIPE

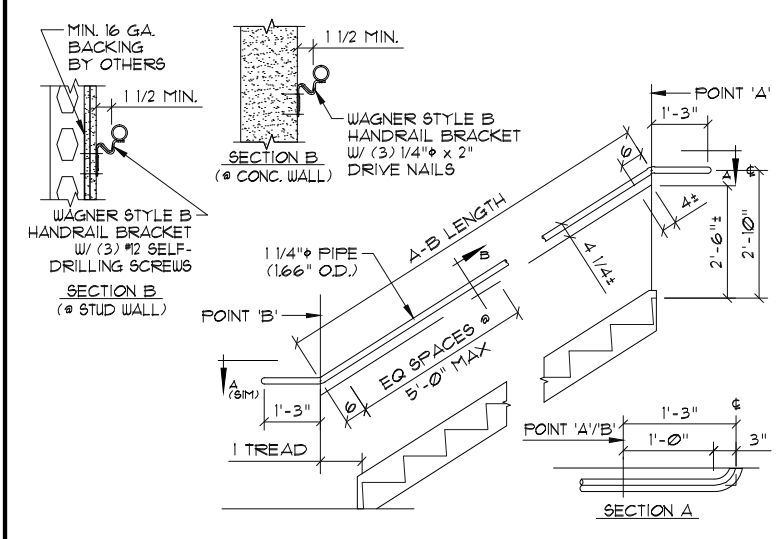
TWO LINE  
**R137**



**PACIFIC STAIR CORPORATION**  
8690 Stair Way NE Salem, OR 97305  
www.pacificstair.com 1 503.390.8305

**RAIL WITH STANDARD TOP - EXTENDED BOTTOM**  
1. POST AND TOP LINE MATERIAL TO BE H85 1 1/2" x 1 1/2" x 0.120"  
2. HANDRAIL & MID LINE MATERIAL TO BE 1 1/2" (1.66" O.D.) PIPE

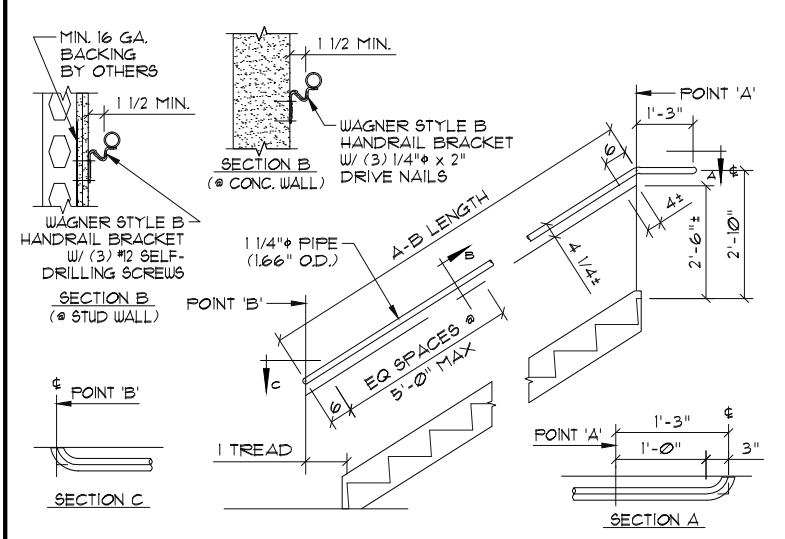
TWO LINE  
**R122**



**PACIFIC STAIR CORPORATION**  
8690 Stair Way NE Salem, OR 97305  
www.pacificstair.com 1 503.390.8305

**WALL RAIL WITH BOTTOM LEVEL OFF**  
1. HANDRAIL TO BE 1 1/2" (1.66" O.D.) PIPE  
2. STANDARD WAGNER STYLE B HANDRAIL BRACKET

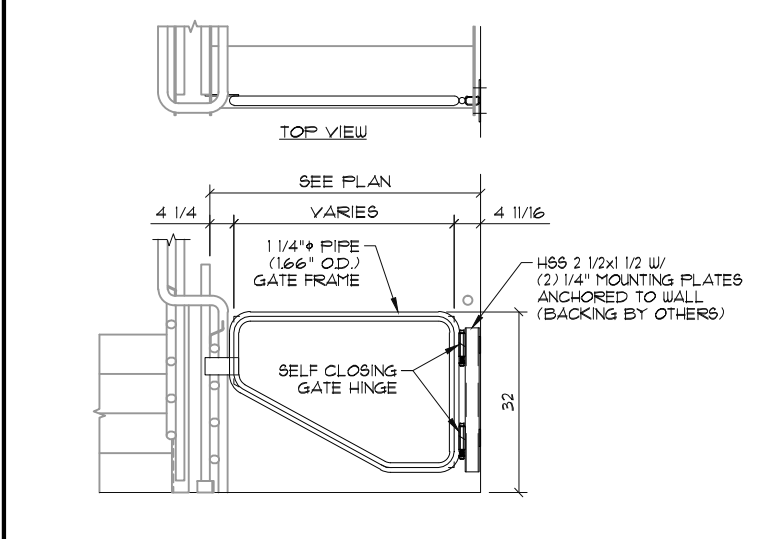
MISC.  
**R001**



**PACIFIC STAIR CORPORATION**  
8690 Stair Way NE Salem, OR 97305  
www.pacificstair.com 1 503.390.8305

**WALL RAIL WITH OUT BOTTOM LEVEL OFF**  
1. HANDRAIL TO BE 1 1/2" (1.66" O.D.) PIPE  
2. STANDARD WAGNER STYLE B HANDRAIL BRACKET

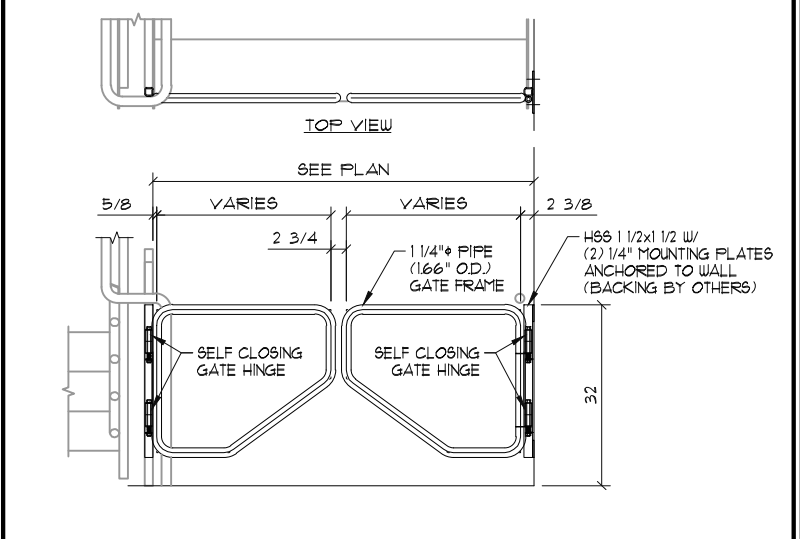
MISC.  
**R002**



**PACIFIC STAIR CORPORATION**  
8690 Stair Way NE Salem, OR 97305  
www.pacificstair.com 1 503.390.8305

**SINGLE SWING GATE**  
1. GATE MATERIAL TO BE 1 1/2" (1.66" O.D.) PIPE

MISC.  
**R003**



**PACIFIC STAIR CORPORATION**  
8690 Stair Way NE Salem, OR 97305  
www.pacificstair.com 1 503.390.8305

**DOUBLE SWING GATE**  
1. GATE MATERIAL TO BE 1 1/2" (1.66" O.D.) PIPE

MISC.  
**R004**

# R100 SERIES 2-LINE RAIL