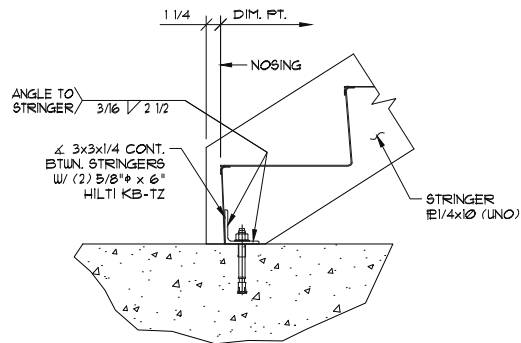


PACIFIC STAIR CORPORATION
8690 Stair Way NE Salem, OR 97305
www.pacificstair.com | 503.390.8305

TREAD / RISER CONSTRUCTION

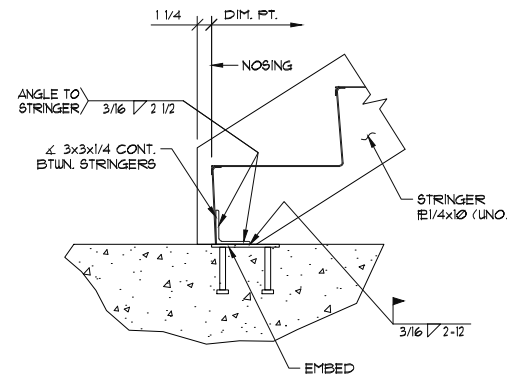
SMOOTH IE
S501



PACIFIC STAIR CORPORATION
8690 Stair Way NE Salem, OR 97305
www.pacificstair.com | 503.390.8305

CONNECTION TO CONCRETE SLAB WITH ANCHOR
1. SEE S501 FOR TREAD / RISER CONSTRUCTION

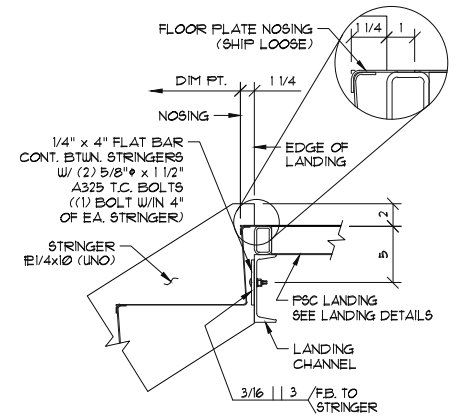
SMOOTH IE
S512



PACIFIC STAIR CORPORATION
8690 Stair Way NE Salem, OR 97305
www.pacificstair.com | 503.390.8305

CONNECTION TO CONCRETE SLAB WITH EMBED
1. SEE S501 FOR TREAD / RISER CONSTRUCTION

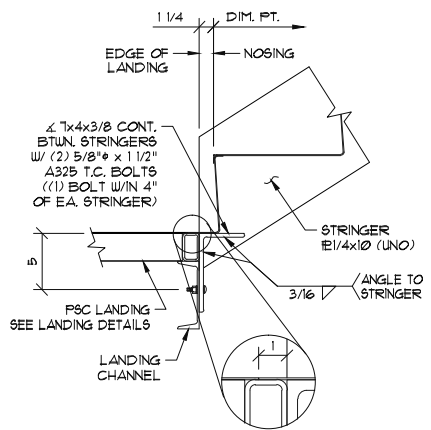
SMOOTH IE
S513



PACIFIC STAIR CORPORATION
8690 Stair Way NE Salem, OR 97305
www.pacificstair.com | 503.390.8305

STANDARD TOP CONNECTION TO STEEL LANDING
1. SEE S501 FOR TREAD / RISER CONSTRUCTION
2. SEE L500 FOR LANDING CONSTRUCTION

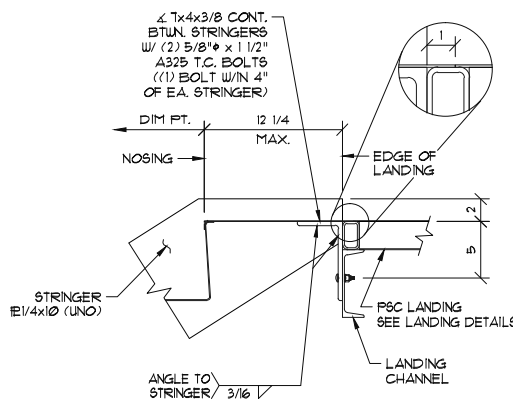
SMOOTH IE
S520



PACIFIC STAIR CORPORATION
8690 Stair Way NE Salem, OR 97305
www.pacificstair.com | 503.390.8305

STANDARD BOTTOM CONNECTION TO STEEL LANDING
1. SEE S501 FOR TREAD / RISER CONSTRUCTION
2. SEE L500 FOR LANDING CONSTRUCTION

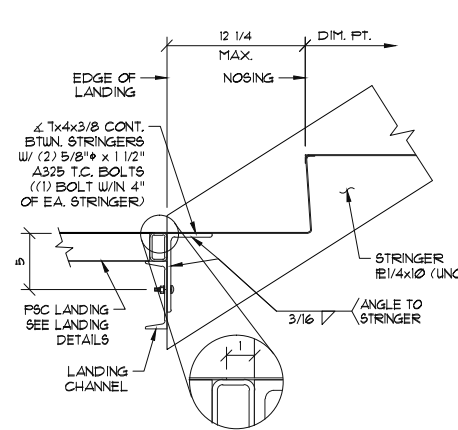
SMOOTH IE
S521



PACIFIC STAIR CORPORATION
8690 Stair Way NE Salem, OR 97305
www.pacificstair.com | 503.390.8305

EXTENDED TOP CONNECTION TO STEEL LANDING
1. SEE S501 FOR TREAD / RISER CONSTRUCTION
2. SEE L500 FOR LANDING CONSTRUCTION

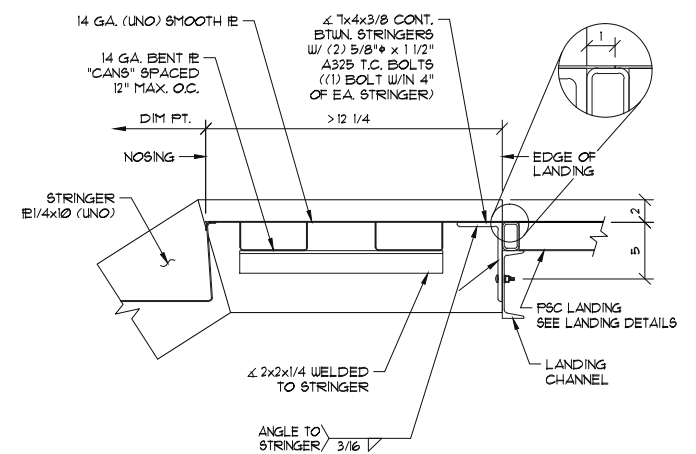
SMOOTH IE
S522



PACIFIC STAIR CORPORATION
8690 Stair Way NE Salem, OR 97305
www.pacificstair.com | 503.390.8305

EXTENDED BOTTOM CONNECTION TO STEEL LANDING
1. SEE S501 FOR TREAD / RISER CONSTRUCTION
2. SEE L500 FOR LANDING CONSTRUCTION

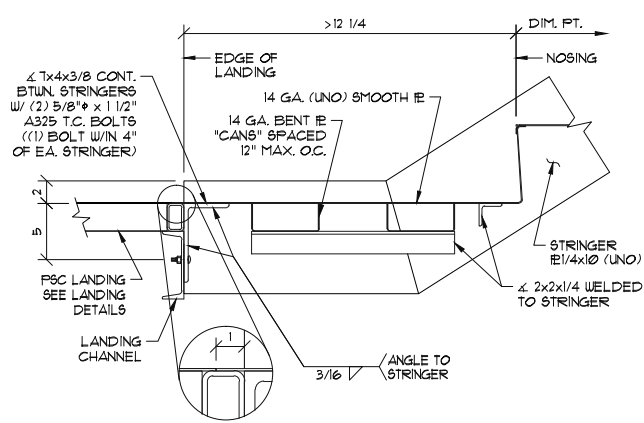
SMOOTH IE
S523



PACIFIC STAIR CORPORATION
8690 Stair Way NE Salem, OR 97305
www.pacificstair.com | 503.390.8305

HAUNCH TOP CONNECTION TO STEEL LANDING
1. SEE S501 FOR TREAD / RISER CONSTRUCTION
2. SEE L500 FOR LANDING CONSTRUCTION

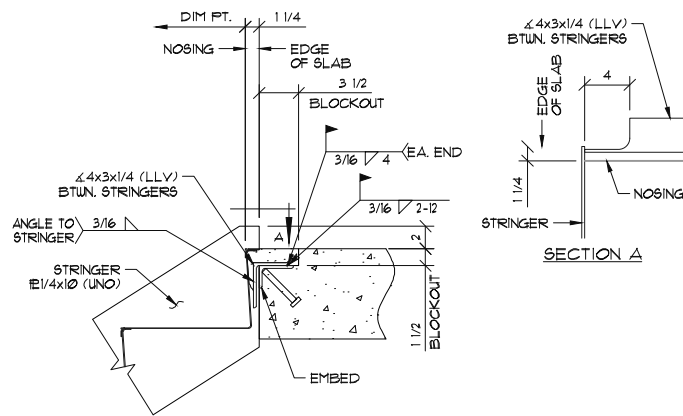
SMOOTH IE
S524



PACIFIC STAIR CORPORATION
8690 Stair Way NE Salem, OR 97305
www.pacificstair.com | 503.390.8305

HAUNCH BOTTOM CONNECTION TO STEEL LANDING
1. SEE S501 FOR TREAD / RISER CONSTRUCTION
2. SEE L500 FOR LANDING CONSTRUCTION

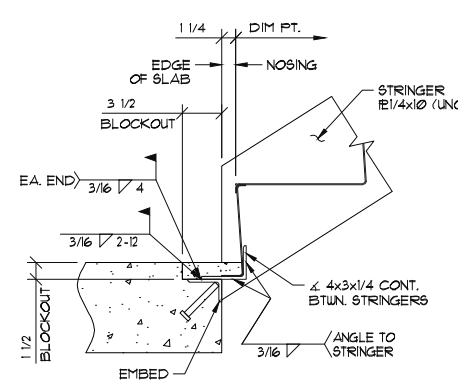
SMOOTH IE
S525



PACIFIC STAIR CORPORATION
8690 Stair Way NE Salem, OR 97305
www.pacificstair.com | 503.390.8305

STANDARD TOP CONNECTION TO EMBED
1. SEE S501 FOR TREAD / RISER CONSTRUCTION

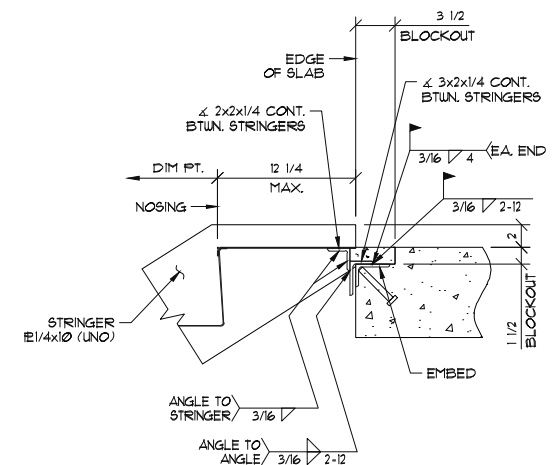
SMOOTH IE
S530



PACIFIC STAIR CORPORATION
8690 Stair Way NE Salem, OR 97305
www.pacificstair.com | 503.390.8305

STANDARD BOTTOM CONNECTION TO EMBED
1. SEE S501 FOR TREAD / RISER CONSTRUCTION

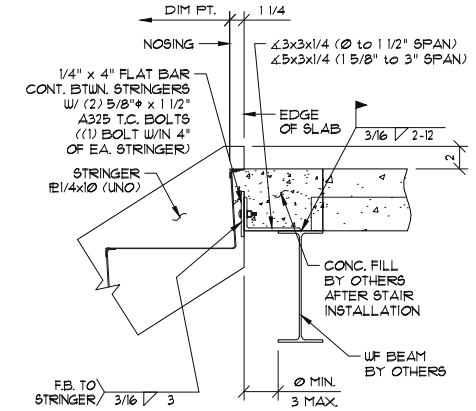
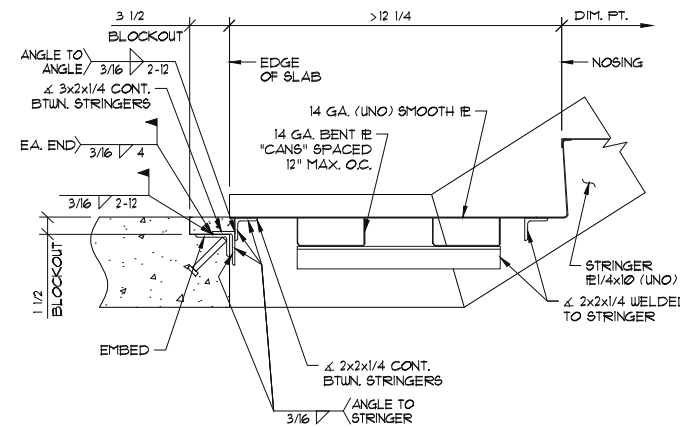
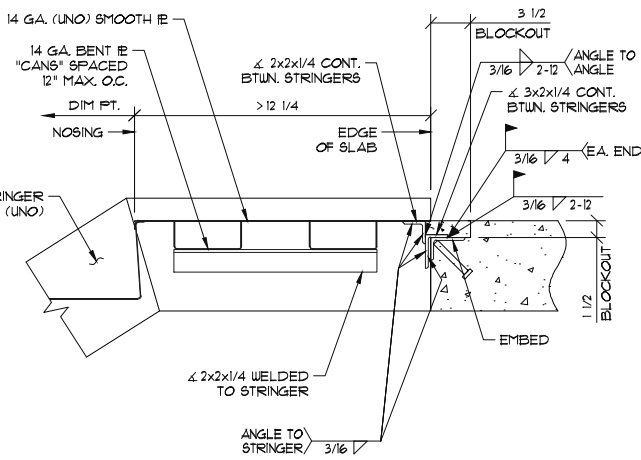
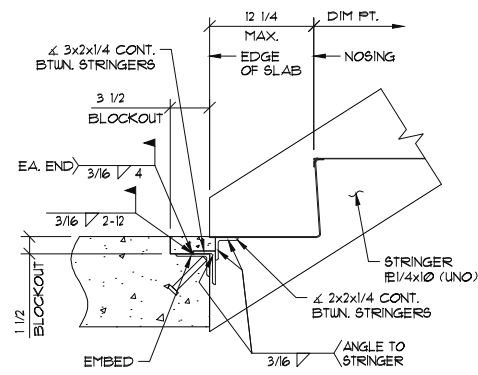
SMOOTH IE
S531



PACIFIC STAIR CORPORATION
8690 Stair Way NE Salem, OR 97305
www.pacificstair.com | 503.390.8305

EXTENDED TOP CONNECTION TO EMBED
1. SEE S501 FOR TREAD / RISER CONSTRUCTION

SMOOTH IE
S532



PACIFIC STAIR CORPORATION
8690 Stair Way NE Salem, OR 97305
www.pacificstair.com 1 503.390.8305

EXTENDED BOTTOM CONNECTION TO EMBED
1. SEE 5501 FOR TREAD / RISER CONSTRUCTION

SMOOTH IE
S533

PACIFIC STAIR CORPORATION
8690 Stair Way NE Salem, OR 97305
www.pacificstair.com 1 503.390.8305

HAUNCH TOP CONNECTION TO EMBED
1. SEE 5501 FOR TREAD / RISER CONSTRUCTION

SMOOTH IE
S534

PACIFIC STAIR CORPORATION
8690 Stair Way NE Salem, OR 97305
www.pacificstair.com 1 503.390.8305

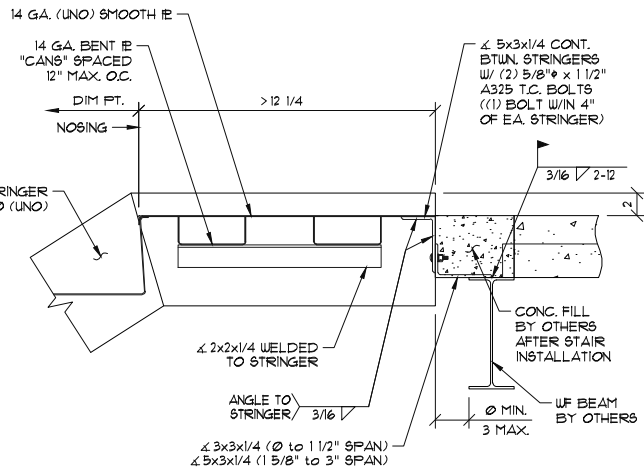
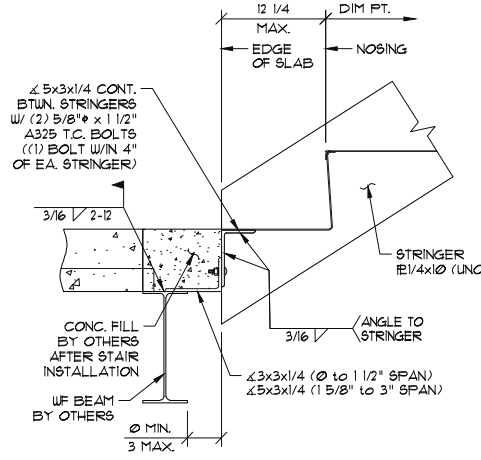
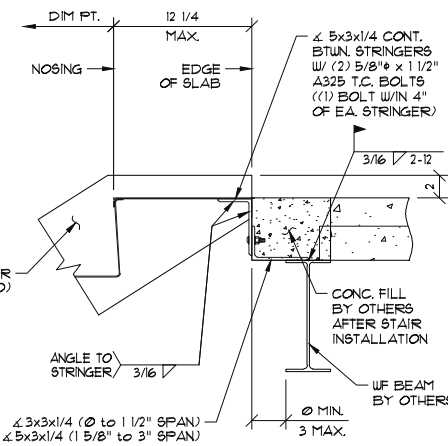
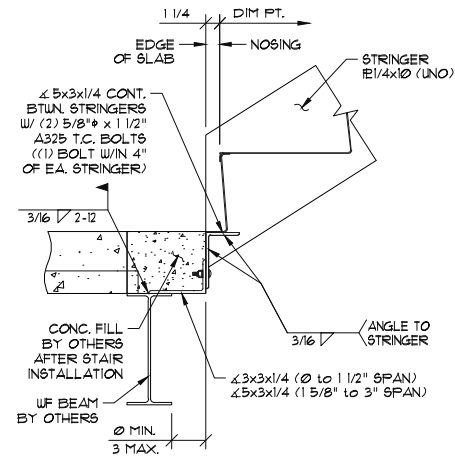
HAUNCH BOTTOM CONNECTION TO EMBED
1. SEE 5501 FOR TREAD / RISER CONSTRUCTION

SMOOTH IE
S535

PACIFIC STAIR CORPORATION
8690 Stair Way NE Salem, OR 97305
www.pacificstair.com 1 503.390.8305

STANDARD TOP CONNECTION TO STRUCTURAL STEEL
1. SEE 5501 FOR TREAD / RISER CONSTRUCTION

SMOOTH IE
S540



PACIFIC STAIR CORPORATION
8690 Stair Way NE Salem, OR 97305
www.pacificstair.com 1 503.390.8305

STANDARD BOTTOM CONNECTION TO STRUCTURAL STEEL
1. SEE 5501 FOR TREAD / RISER CONSTRUCTION

SMOOTH IE
S541

PACIFIC STAIR CORPORATION
8690 Stair Way NE Salem, OR 97305
www.pacificstair.com 1 503.390.8305

EXTENDED TOP CONNECTION TO STRUCTURAL STEEL
1. SEE 5501 FOR TREAD / RISER CONSTRUCTION

SMOOTH IE
S542

PACIFIC STAIR CORPORATION
8690 Stair Way NE Salem, OR 97305
www.pacificstair.com 1 503.390.8305

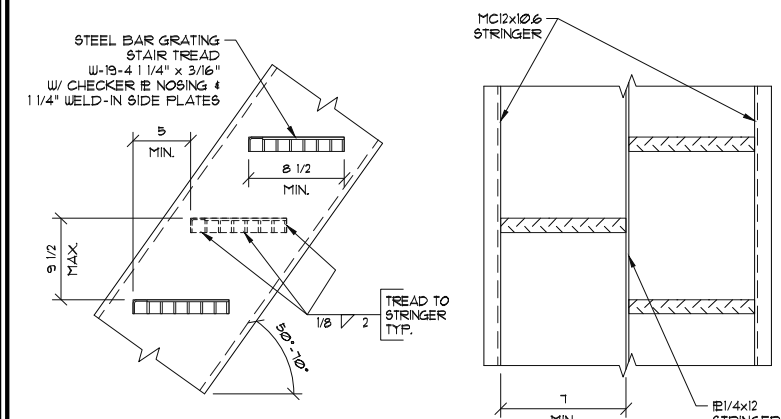
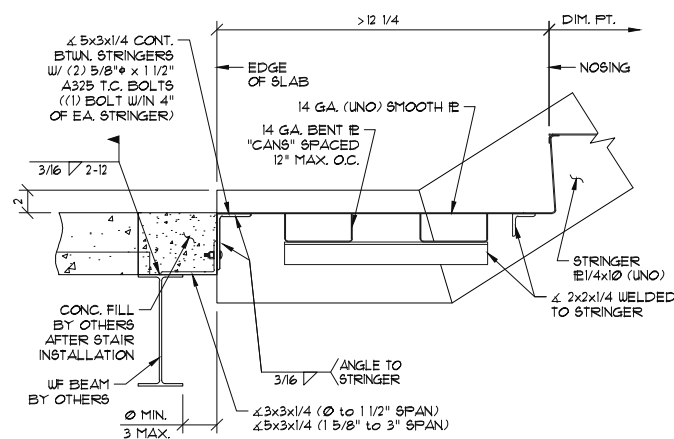
EXTENDED BOTTOM CONNECTION TO STRUCTURAL STEEL
1. SEE 5501 FOR TREAD / RISER CONSTRUCTION

SMOOTH IE
S543

PACIFIC STAIR CORPORATION
8690 Stair Way NE Salem, OR 97305
www.pacificstair.com 1 503.390.8305

HAUNCH TOP CONNECTION TO STRUCTURAL STEEL
1. SEE 5501 FOR TREAD / RISER CONSTRUCTION

SMOOTH IE
S544



PACIFIC STAIR CORPORATION
8690 Stair Way NE Salem, OR 97305
www.pacificstair.com 1 503.390.8305

HAUNCH BOTTOM CONNECTION TO STRUCTURAL STEEL
1. SEE 5501 FOR TREAD / RISER CONSTRUCTION

SMOOTH IE
S545

PACIFIC STAIR CORPORATION
8690 Stair Way NE Salem, OR 97305
www.pacificstair.com 1 503.390.8305

ALTERNATING TREAD STAIR / SHIP LADDER
1. NOTE NO CENTER STRINGER AT 91M. AND TREADS TO BE CONTINUOUS BETWEEN OUTSIDE STRINGER.

MISC.
S001