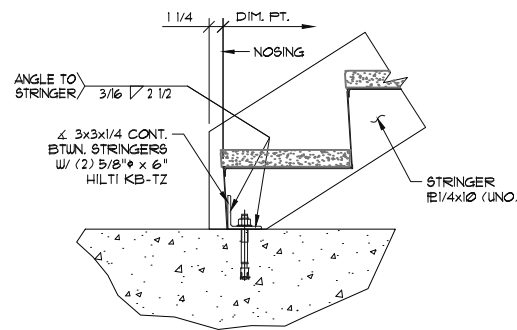


**PACIFIC STAIR CORPORATION**  
8690 Stair Way NE Salem, OR 97305  
www.pacificstair.com 1 503.390.8305

**TREAD / RISER CONSTRUCTION**

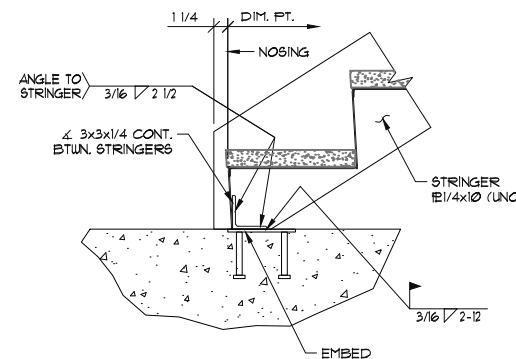
PRECAST  
**S401**



**PACIFIC STAIR CORPORATION**  
8690 Stair Way NE Salem, OR 97305  
www.pacificstair.com 1 503.390.8305

**CONNECTION TO CONCRETE SLAB WITH ANCHOR**  
1. SEE S401 FOR TREAD / RISER CONSTRUCTION

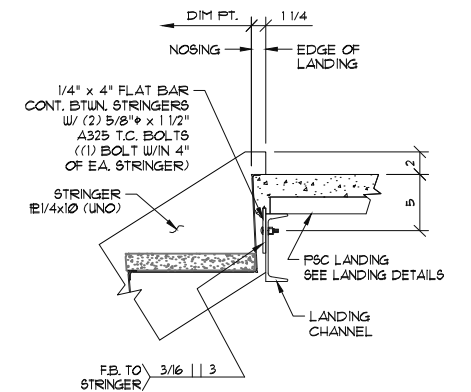
PRECAST  
**S412**



**PACIFIC STAIR CORPORATION**  
8690 Stair Way NE Salem, OR 97305  
www.pacificstair.com 1 503.390.8305

**CONNECTION TO CONCRETE SLAB WITH EMBED**  
1. SEE S401 FOR TREAD / RISER CONSTRUCTION

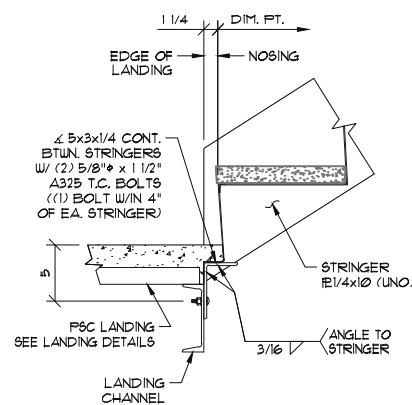
PRECAST  
**S413**



**PACIFIC STAIR CORPORATION**  
8690 Stair Way NE Salem, OR 97305  
www.pacificstair.com 1 503.390.8305

**STANDARD TOP CONNECTION TO STEEL LANDING**  
1. SEE S401 FOR TREAD / RISER CONSTRUCTION  
2. SEE L100 FOR LANDING CONSTRUCTION

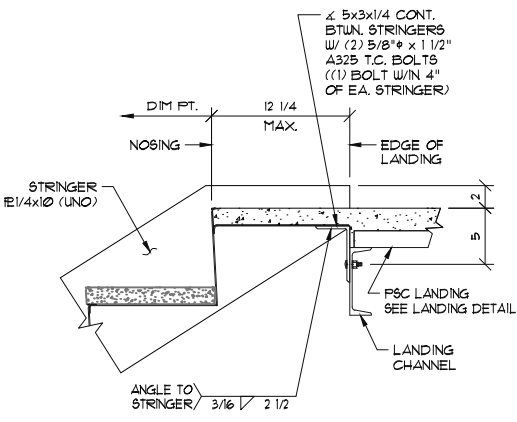
PRECAST  
**S420**



**PACIFIC STAIR CORPORATION**  
8690 Stair Way NE Salem, OR 97305  
www.pacificstair.com 1 503.390.8305

**STANDARD BOTTOM CONNECTION TO STEEL LANDING**  
1. SEE S401 FOR TREAD / RISER CONSTRUCTION  
2. SEE L100 FOR LANDING CONSTRUCTION

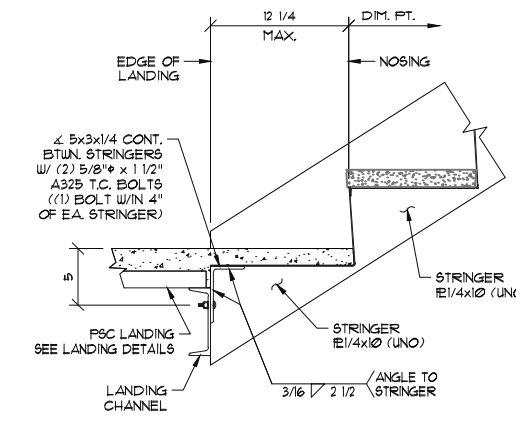
PRECAST  
**S421**



**PACIFIC STAIR CORPORATION**  
8690 Stair Way NE Salem, OR 97305  
www.pacificstair.com 1 503.390.8305

**EXTENDED TOP CONNECTION TO STEEL LANDING**  
1. SEE S401 FOR TREAD / RISER CONSTRUCTION  
2. SEE L100 FOR LANDING CONSTRUCTION

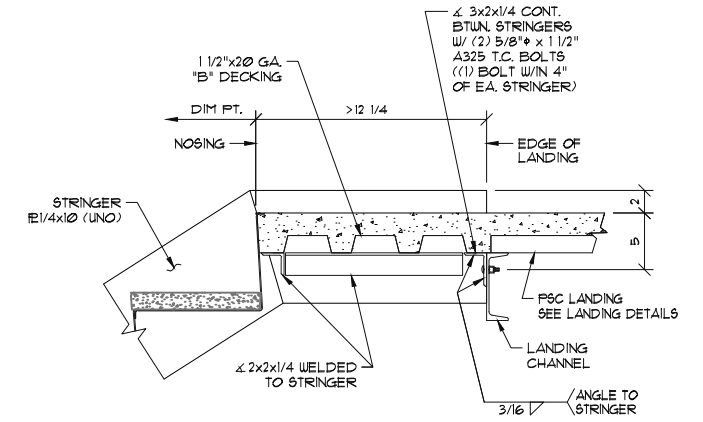
PRECAST  
**S422**



**PACIFIC STAIR CORPORATION**  
8690 Stair Way NE Salem, OR 97305  
www.pacificstair.com 1 503.390.8305

**EXTENDED BOTTOM CONNECTION TO STEEL LANDING**  
1. SEE S401 FOR TREAD / RISER CONSTRUCTION  
2. SEE L100 FOR LANDING CONSTRUCTION

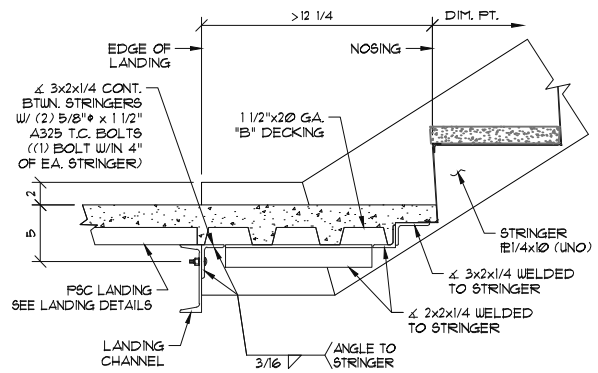
PRECAST  
**S423**



**PACIFIC STAIR CORPORATION**  
8690 Stair Way NE Salem, OR 97305  
www.pacificstair.com 1 503.390.8305

**HAUNCH TOP CONNECTION TO STEEL LANDING**  
1. SEE S401 FOR TREAD / RISER CONSTRUCTION  
2. SEE L100 FOR LANDING CONSTRUCTION

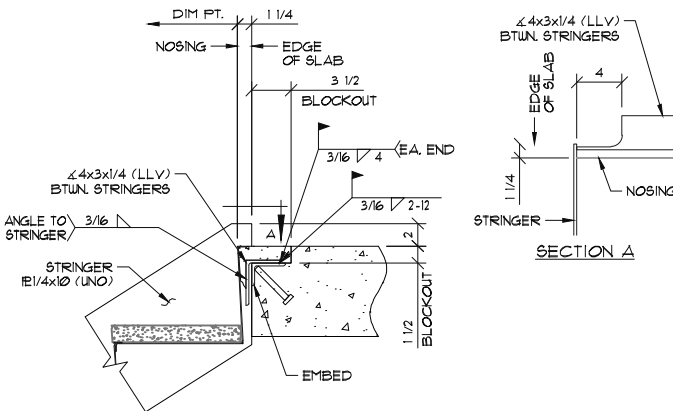
PRECAST  
**S424**



**PACIFIC STAIR CORPORATION**  
8690 Stair Way NE Salem, OR 97305  
www.pacificstair.com 1 503.390.8305

**HAUNCH BOTTOM CONNECTION TO STEEL LANDING**  
1. SEE S401 FOR TREAD / RISER CONSTRUCTION  
2. SEE L100 FOR LANDING CONSTRUCTION

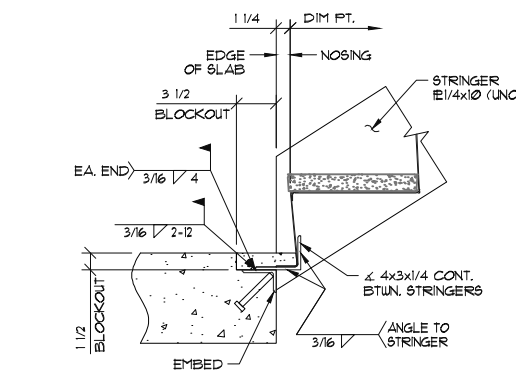
PRECAST  
**S425**



**PACIFIC STAIR CORPORATION**  
8690 Stair Way NE Salem, OR 97305  
www.pacificstair.com 1 503.390.8305

**STANDARD TOP CONNECTION TO EMBED**  
1. SEE S401 FOR TREAD / RISER CONSTRUCTION

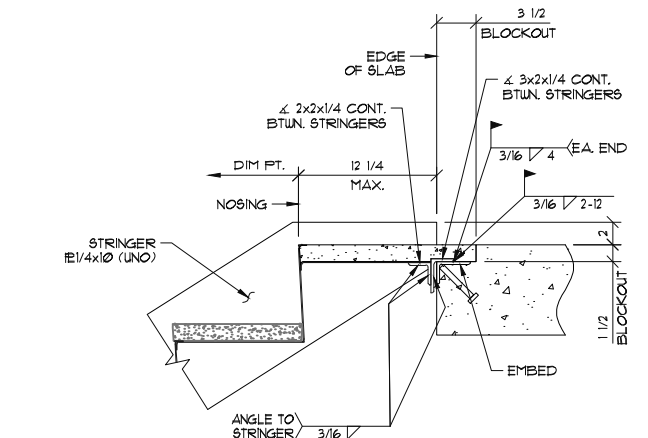
PRECAST  
**S430**



**PACIFIC STAIR CORPORATION**  
8690 Stair Way NE Salem, OR 97305  
www.pacificstair.com 1 503.390.8305

**STANDARD BOTTOM CONNECTION TO EMBED**  
1. SEE S401 FOR TREAD / RISER CONSTRUCTION

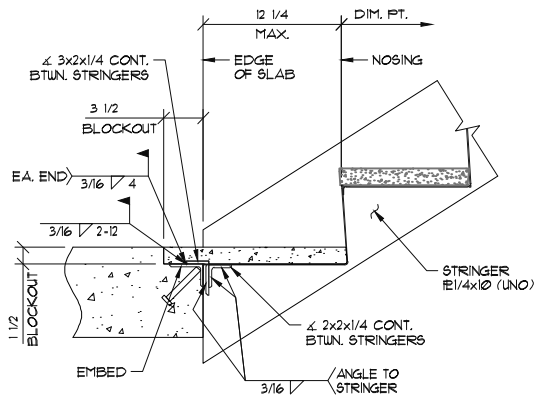
PRECAST  
**S431**



**PACIFIC STAIR CORPORATION**  
8690 Stair Way NE Salem, OR 97305  
www.pacificstair.com 1 503.390.8305

**EXTENDED TOP CONNECTION TO EMBED**  
1. SEE S401 FOR TREAD / RISER CONSTRUCTION

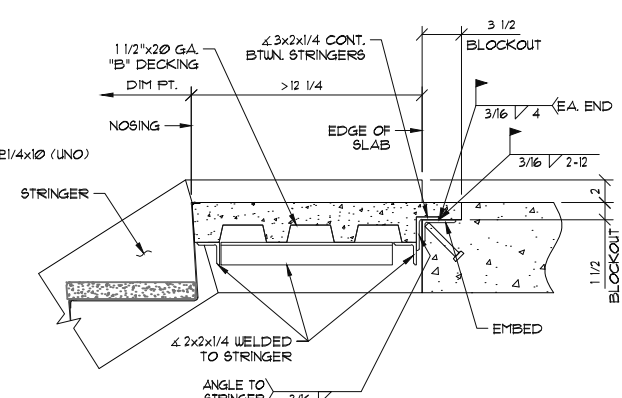
PRECAST  
**S432**



**PACIFIC STAIR CORPORATION**  
 8690 Star Way NE Salem, OR 97305  
 www.pacificstair.com 1.503.390.8305

**EXTENDED BOTTOM CONNECTION TO EMBED**  
 I. SEE S401 FOR TREAD / RISER CONSTRUCTION

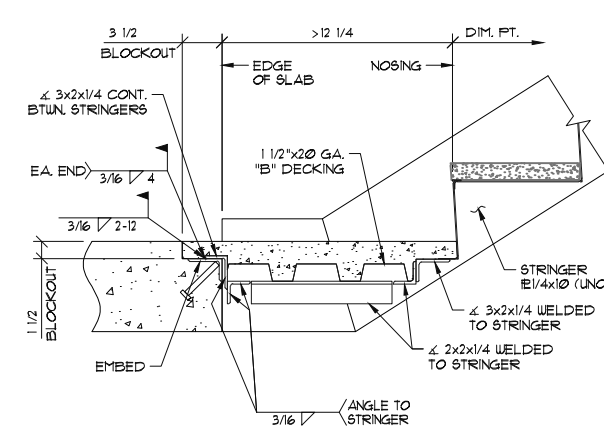
PRECAST  
**S433**



**PACIFIC STAIR CORPORATION**  
 8690 Star Way NE Salem, OR 97305  
 www.pacificstair.com 1.503.390.8305

**HAUNCH TOP CONNECTION TO EMBED**  
 I. SEE S401 FOR TREAD / RISER CONSTRUCTION

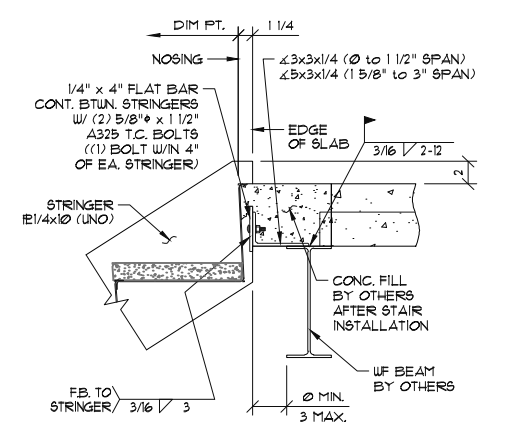
PRECAST  
**S434**



**PACIFIC STAIR CORPORATION**  
 8690 Star Way NE Salem, OR 97305  
 www.pacificstair.com 1.503.390.8305

**HAUNCH BOTTOM CONNECTION TO EMBED**  
 I. SEE S401 FOR TREAD / RISER CONSTRUCTION

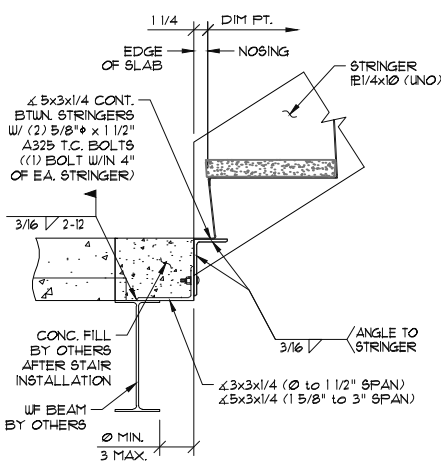
PRECAST  
**S435**



**PACIFIC STAIR CORPORATION**  
 8690 Star Way NE Salem, OR 97305  
 www.pacificstair.com 1.503.390.8305

**STANDARD TOP CONNECTION TO STRUCTURAL STEEL**  
 I. SEE S401 FOR TREAD / RISER CONSTRUCTION

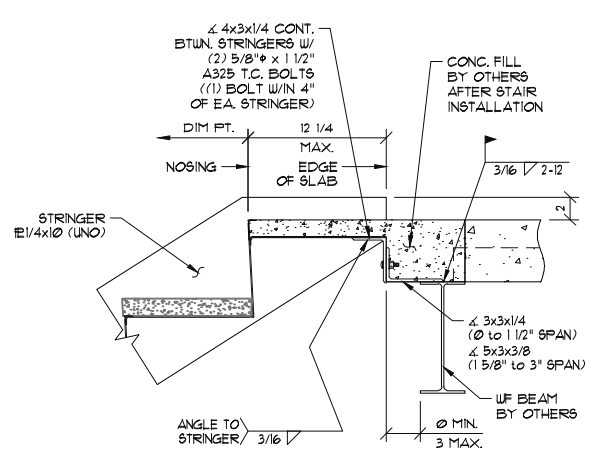
PRECAST  
**S440**



**PACIFIC STAIR CORPORATION**  
 8690 Star Way NE Salem, OR 97305  
 www.pacificstair.com 1.503.390.8305

**STANDARD BOTTOM CONNECTION TO STRUCTURAL STEEL**  
 I. SEE S401 FOR TREAD / RISER CONSTRUCTION

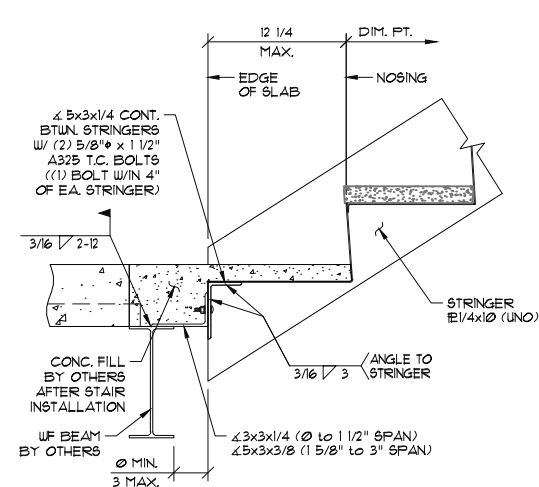
PRECAST  
**S441**



**PACIFIC STAIR CORPORATION**  
 8690 Star Way NE Salem, OR 97305  
 www.pacificstair.com 1.503.390.8305

**EXTENDED TOP CONNECTION TO STRUCTURAL STEEL**  
 I. SEE S401 FOR TREAD / RISER CONSTRUCTION

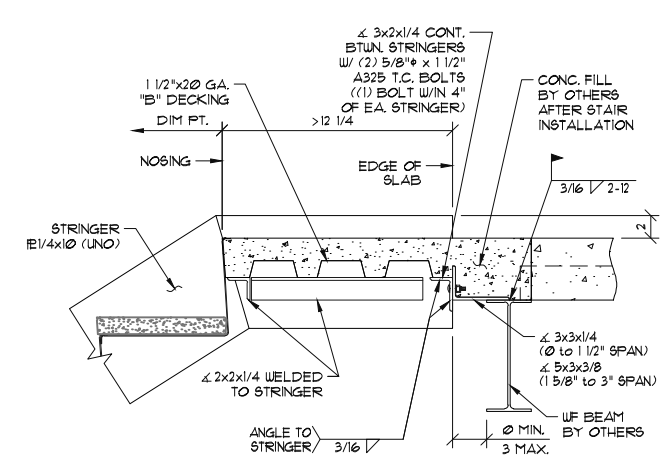
PRECAST  
**S442**



**PACIFIC STAIR CORPORATION**  
 8690 Star Way NE Salem, OR 97305  
 www.pacificstair.com 1.503.390.8305

**EXTENDED BOTTOM CONNECTION TO STRUCTURAL STEEL**  
 I. SEE S401 FOR TREAD / RISER CONSTRUCTION

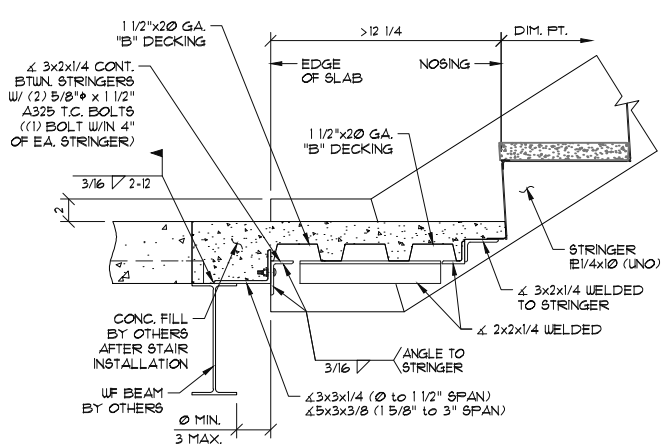
PRECAST  
**S443**



**PACIFIC STAIR CORPORATION**  
 8690 Star Way NE Salem, OR 97305  
 www.pacificstair.com 1.503.390.8305

**HAUNCH TOP CONNECTION TO STRUCTURAL STEEL**  
 I. SEE S401 FOR TREAD / RISER CONSTRUCTION

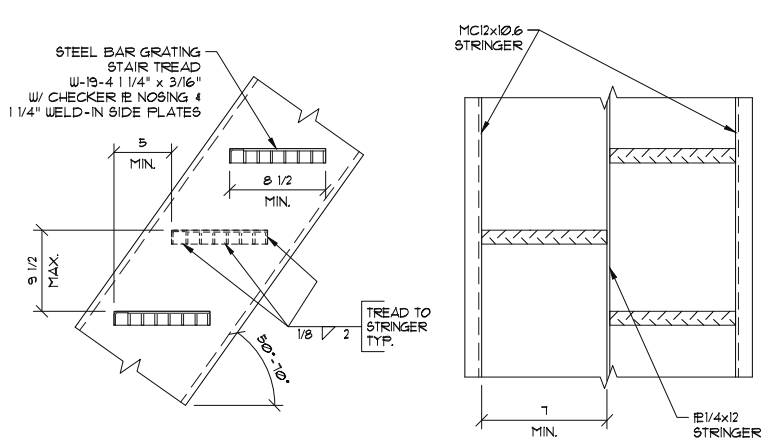
PRECAST  
**S444**



**PACIFIC STAIR CORPORATION**  
 8690 Star Way NE Salem, OR 97305  
 www.pacificstair.com 1.503.390.8305

**HAUNCH BOTTOM CONNECTION TO STRUCTURAL STEEL**  
 I. SEE S401 FOR TREAD / RISER CONSTRUCTION

PRECAST  
**S445**



**PACIFIC STAIR CORPORATION**  
 8690 Star Way NE Salem, OR 97305  
 www.pacificstair.com 1.503.390.8305

**ALTERNATING TREAD STAIR / SHIP LADDER**  
 I. NOTE NO CENTER STRINGER AT 91M, AND TREADS TO BE CONTINUOUS BETWEEN OUTSIDE STRINGER.

MISC.  
**S001**