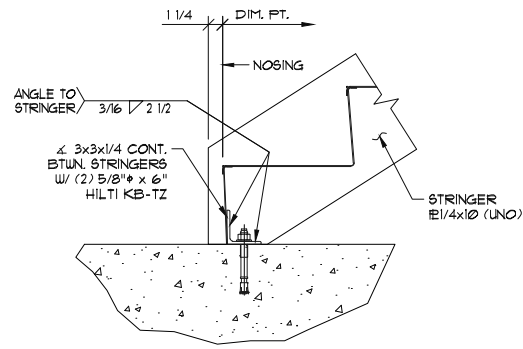


**PACIFIC STAIR CORPORATION**  
 8690 Stair Way NE Salem, OR 97305  
 www.pacificstair.com 1 503.390.8305

**TREAD / RISER CONSTRUCTION**

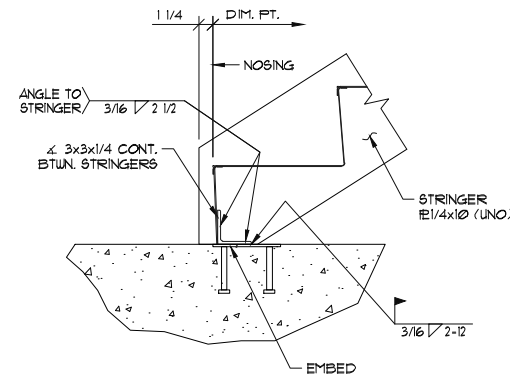
CHECKER PLATE  
**S201**



**PACIFIC STAIR CORPORATION**  
 8690 Stair Way NE Salem, OR 97305  
 www.pacificstair.com 1 503.390.8305

**CONNECTION TO CONCRETE SLAB WITH ANCHOR**  
 1. SEE S201 FOR TREAD / RISER CONSTRUCTION

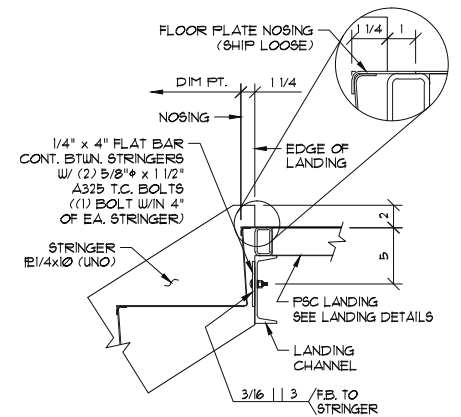
CHECKER PLATE  
**S212**



**PACIFIC STAIR CORPORATION**  
 8690 Stair Way NE Salem, OR 97305  
 www.pacificstair.com 1 503.390.8305

**CONNECTION TO CONCRETE SLAB WITH EMBED**  
 1. SEE S201 FOR TREAD / RISER CONSTRUCTION

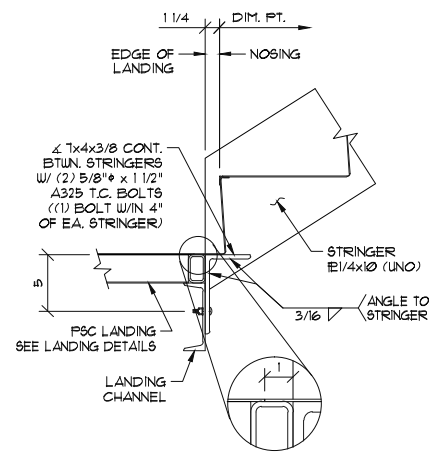
CHECKER PLATE  
**S213**



**PACIFIC STAIR CORPORATION**  
 8690 Stair Way NE Salem, OR 97305  
 www.pacificstair.com 1 503.390.8305

**STANDARD TOP CONNECTION TO STEEL LANDING**  
 1. SEE S201 FOR TREAD / RISER CONSTRUCTION  
 2. SEE L200 FOR LANDING CONSTRUCTION

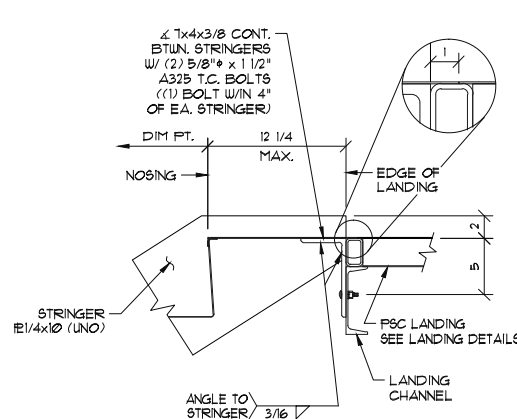
CHECKER PLATE  
**S220**



**PACIFIC STAIR CORPORATION**  
 8690 Stair Way NE Salem, OR 97305  
 www.pacificstair.com 1 503.390.8305

**STANDARD BOTTOM CONNECTION TO STEEL LANDING**  
 1. SEE S201 FOR TREAD / RISER CONSTRUCTION  
 2. SEE L200 FOR LANDING CONSTRUCTION

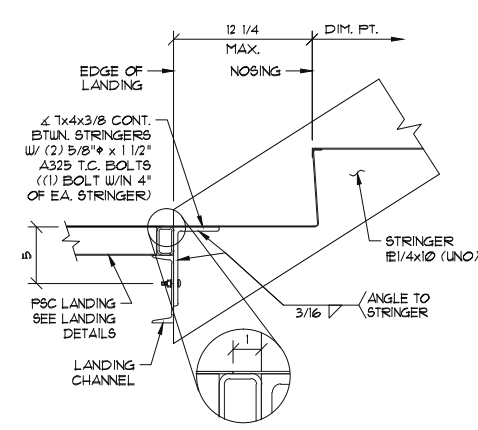
CHECKER PLATE  
**S221**



**PACIFIC STAIR CORPORATION**  
 8690 Stair Way NE Salem, OR 97305  
 www.pacificstair.com 1 503.390.8305

**EXTENDED TOP CONNECTION TO STEEL LANDING**  
 1. SEE S201 FOR TREAD / RISER CONSTRUCTION  
 2. SEE L200 FOR LANDING CONSTRUCTION

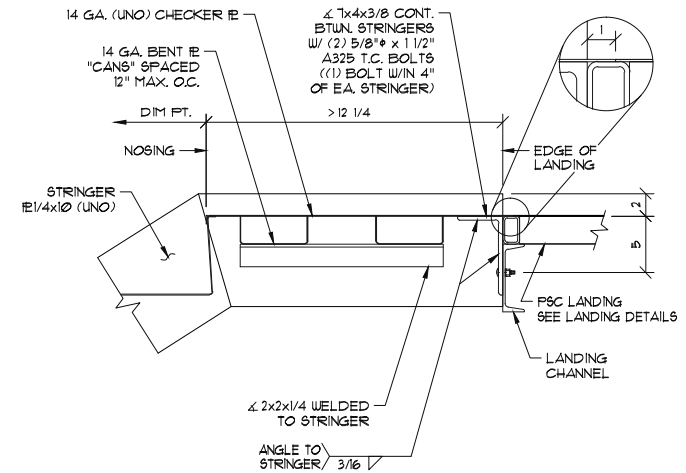
CHECKER PLATE  
**S222**



**PACIFIC STAIR CORPORATION**  
 8690 Stair Way NE Salem, OR 97305  
 www.pacificstair.com 1 503.390.8305

**EXTENDED BOTTOM CONNECTION TO STEEL LANDING**  
 1. SEE S201 FOR TREAD / RISER CONSTRUCTION  
 2. SEE L200 FOR LANDING CONSTRUCTION

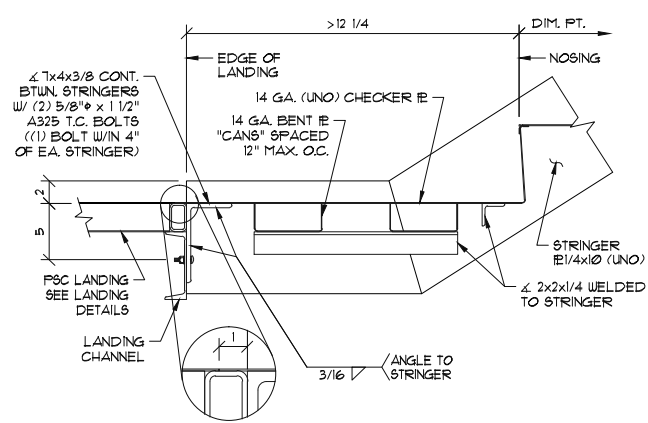
CHECKER PLATE  
**S223**



**PACIFIC STAIR CORPORATION**  
 8690 Stair Way NE Salem, OR 97305  
 www.pacificstair.com 1 503.390.8305

**HAUNCH TOP CONNECTION TO STEEL LANDING**  
 1. SEE S201 FOR TREAD / RISER CONSTRUCTION  
 2. SEE L200 FOR LANDING CONSTRUCTION

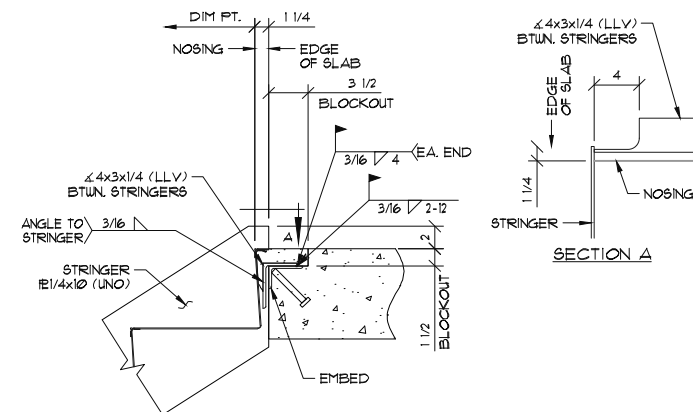
CHECKER PLATE  
**S224**



**PACIFIC STAIR CORPORATION**  
 8690 Stair Way NE Salem, OR 97305  
 www.pacificstair.com 1 503.390.8305

**HAUNCH BOTTOM CONNECTION TO STEEL LANDING**  
 1. SEE S201 FOR TREAD / RISER CONSTRUCTION  
 2. SEE L200 FOR LANDING CONSTRUCTION

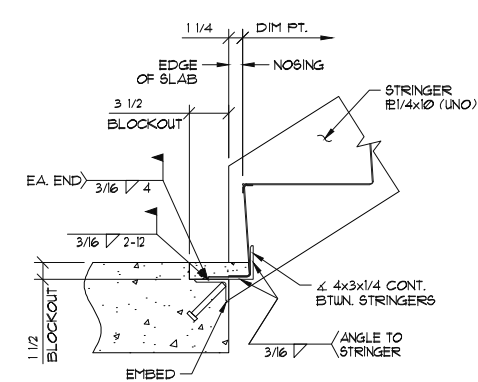
CHECKER PLATE  
**S225**



**PACIFIC STAIR CORPORATION**  
 8690 Stair Way NE Salem, OR 97305  
 www.pacificstair.com 1 503.390.8305

**STANDARD TOP CONNECTION TO EMBED**  
 1. SEE S201 FOR TREAD / RISER CONSTRUCTION

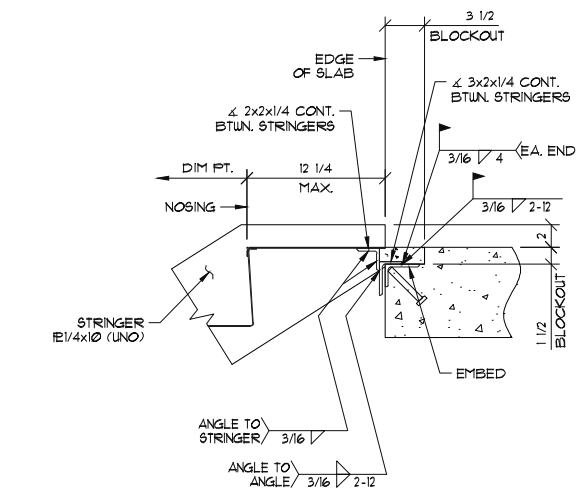
CHECKER PLATE  
**S230**



**PACIFIC STAIR CORPORATION**  
 8690 Stair Way NE Salem, OR 97305  
 www.pacificstair.com 1 503.390.8305

**STANDARD BOTTOM CONNECTION TO EMBED**  
 1. SEE S201 FOR TREAD / RISER CONSTRUCTION

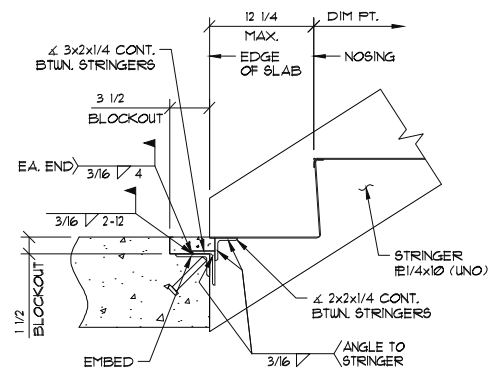
CHECKER PLATE  
**S231**



**PACIFIC STAIR CORPORATION**  
 8690 Stair Way NE Salem, OR 97305  
 www.pacificstair.com 1 503.390.8305

**EXTENDED TOP CONNECTION TO EMBED**  
 1. SEE S201 FOR TREAD / RISER CONSTRUCTION

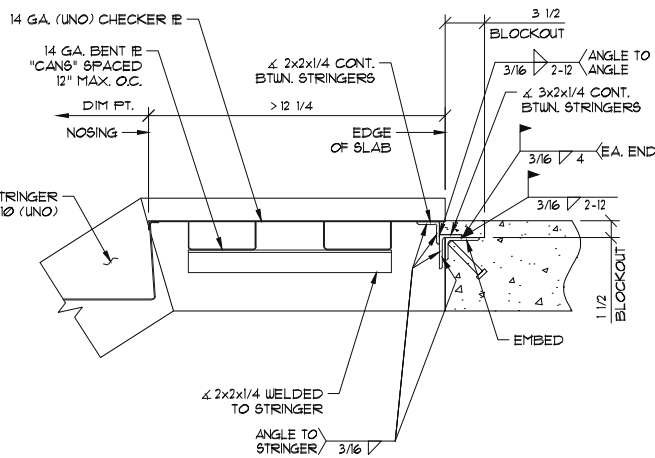
CHECKER PLATE  
**S232**



**PACIFIC STAIR CORPORATION**  
 8690 Stair Way NE Salem, OR 97305  
 www.pacificstair.com 1 503.390.8305

**EXTENDED BOTTOM CONNECTION TO EMBED**  
 I. SEE S201 FOR TREAD / RISER CONSTRUCTION

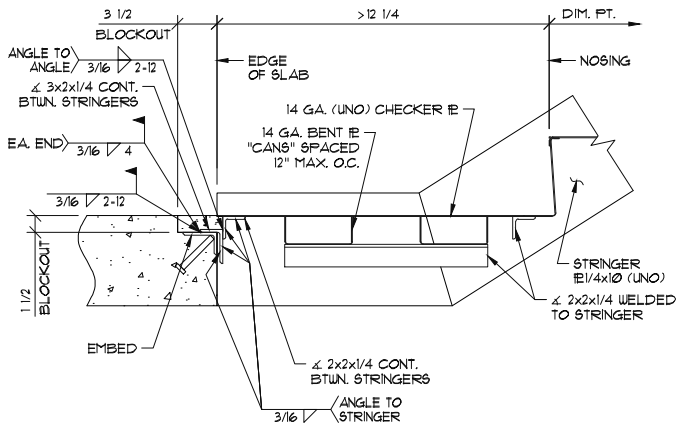
CHECKER ID: **S232**



**PACIFIC STAIR CORPORATION**  
 8690 Stair Way NE Salem, OR 97305  
 www.pacificstair.com 1 503.390.8305

**HAUNCH TOP CONNECTION TO EMBED**  
 I. SEE S201 FOR TREAD / RISER CONSTRUCTION

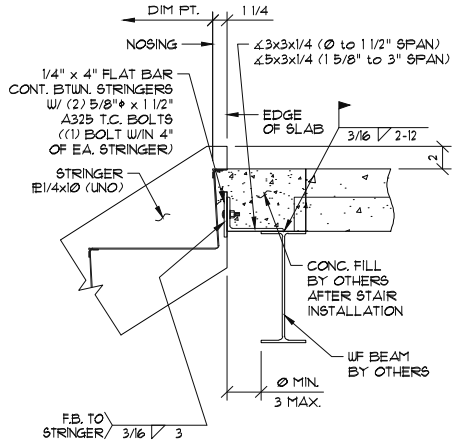
CHECKER ID: **S233**



**PACIFIC STAIR CORPORATION**  
 8690 Stair Way NE Salem, OR 97305  
 www.pacificstair.com 1 503.390.8305

**HAUNCH BOTTOM CONNECTION TO EMBED**  
 I. SEE S201 FOR TREAD / RISER CONSTRUCTION

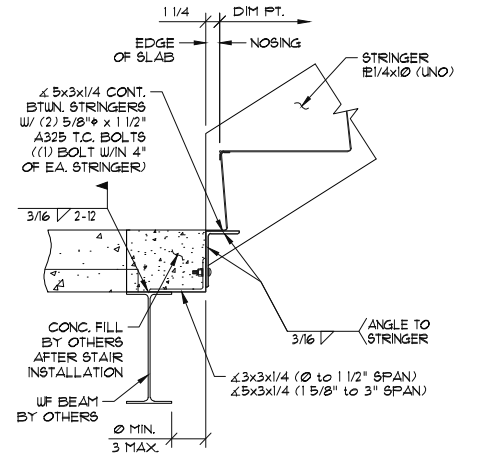
CHECKER ID: **S235**



**PACIFIC STAIR CORPORATION**  
 8690 Stair Way NE Salem, OR 97305  
 www.pacificstair.com 1 503.390.8305

**STANDARD TOP CONNECTION TO STRUCTURAL STEEL**  
 I. SEE S201 FOR TREAD / RISER CONSTRUCTION

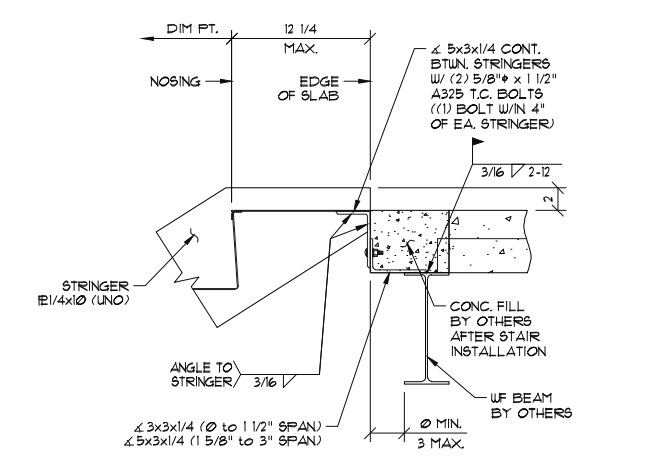
CHECKER ID: **S240**



**PACIFIC STAIR CORPORATION**  
 8690 Stair Way NE Salem, OR 97305  
 www.pacificstair.com 1 503.390.8305

**STANDARD BOTTOM CONNECTION TO STRUCTURAL STEEL**  
 I. SEE S201 FOR TREAD / RISER CONSTRUCTION

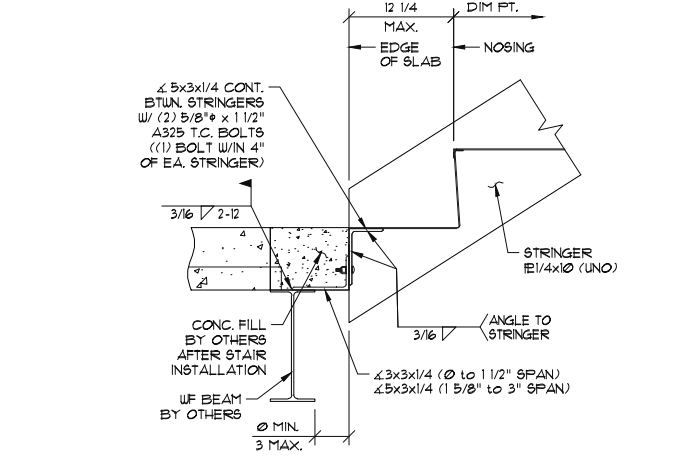
CHECKER ID: **S241**



**PACIFIC STAIR CORPORATION**  
 8690 Stair Way NE Salem, OR 97305  
 www.pacificstair.com 1 503.390.8305

**EXTENDED TOP CONNECTION TO STRUCTURAL STEEL**  
 I. SEE S201 FOR TREAD / RISER CONSTRUCTION

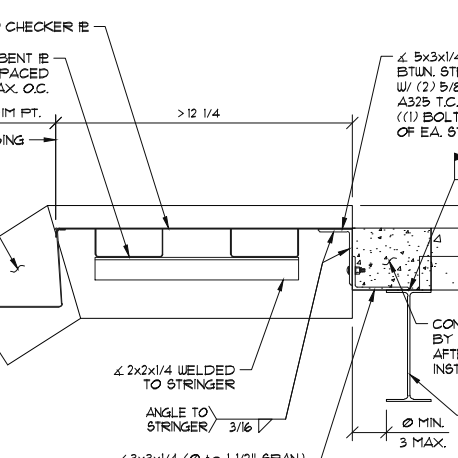
CHECKER ID: **S242**



**PACIFIC STAIR CORPORATION**  
 8690 Stair Way NE Salem, OR 97305  
 www.pacificstair.com 1 503.390.8305

**EXTENDED BOTTOM CONNECTION TO STRUCTURAL STEEL**  
 I. SEE S201 FOR TREAD / RISER CONSTRUCTION

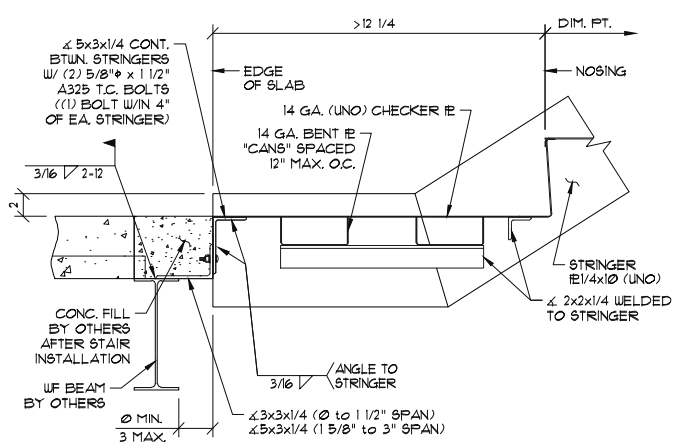
CHECKER ID: **S243**



**PACIFIC STAIR CORPORATION**  
 8690 Stair Way NE Salem, OR 97305  
 www.pacificstair.com 1 503.390.8305

**HAUNCH TOP CONNECTION TO STRUCTURAL STEEL**  
 I. SEE S201 FOR TREAD / RISER CONSTRUCTION

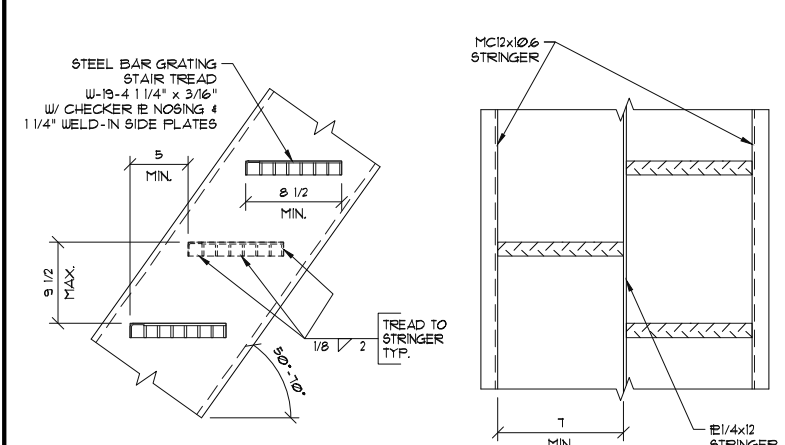
CHECKER ID: **S244**



**PACIFIC STAIR CORPORATION**  
 8690 Stair Way NE Salem, OR 97305  
 www.pacificstair.com 1 503.390.8305

**HAUNCH BOTTOM CONNECTION TO STRUCTURAL STEEL**  
 I. SEE S201 FOR TREAD / RISER CONSTRUCTION

CHECKER ID: **S245**



**PACIFIC STAIR CORPORATION**  
 8690 Stair Way NE Salem, OR 97305  
 www.pacificstair.com 1 503.390.8305

**ALTERNATING TREAD STAIR / SHIP LADDER**  
 I. NOTE NO CENTER STRINGER AT 6M. AND TREADS TO BE CONTINUOUS BETWEEN OUTSIDE STRINGER.

MISC. ID: **S001**