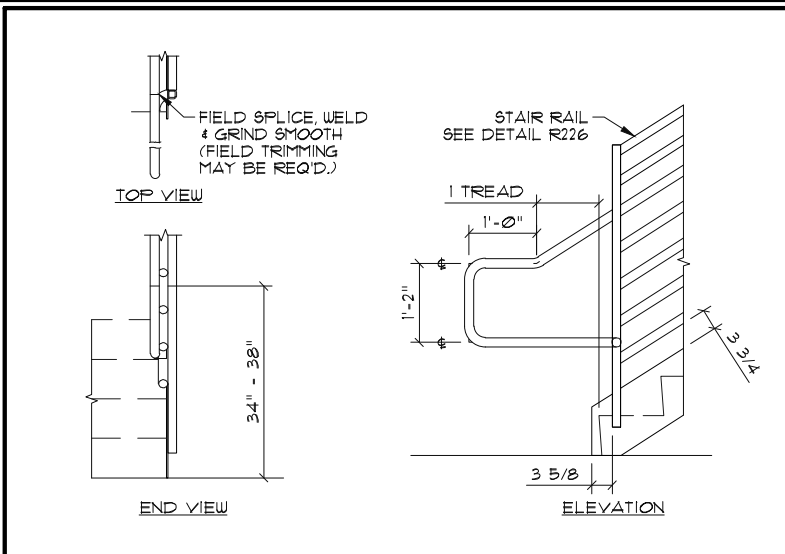


PACIFIC STAIR CORPORATION
 8690 Star Way NE Salem, OR 97305
 www.pacificstair.com 1 503.390.8305

STARTER RAIL WITH OUT LEVEL OFF HANDRAIL
 1. POST AND TOP LINE MATERIAL TO BE H85 1 1/2" x 1 1/2" x 0.120"
 2. HANDRAIL & MID LINE MATERIAL TO BE 1 1/2" (1.66" O.D.) PIPE

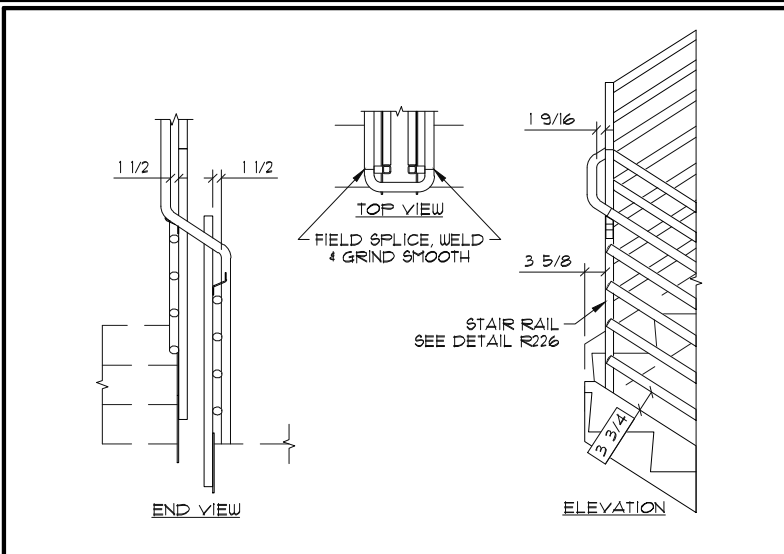
STD. PIPE
R211



PACIFIC STAIR CORPORATION
 8690 Star Way NE Salem, OR 97305
 www.pacificstair.com 1 503.390.8305

STARTER RAIL WITH LEVEL OFF HANDRAIL
 1. POST AND TOP LINE MATERIAL TO BE H85 1 1/2" x 1 1/2" x 0.120"
 2. HANDRAIL & MID LINE MATERIAL TO BE 1 1/2" (1.66" O.D.) PIPE

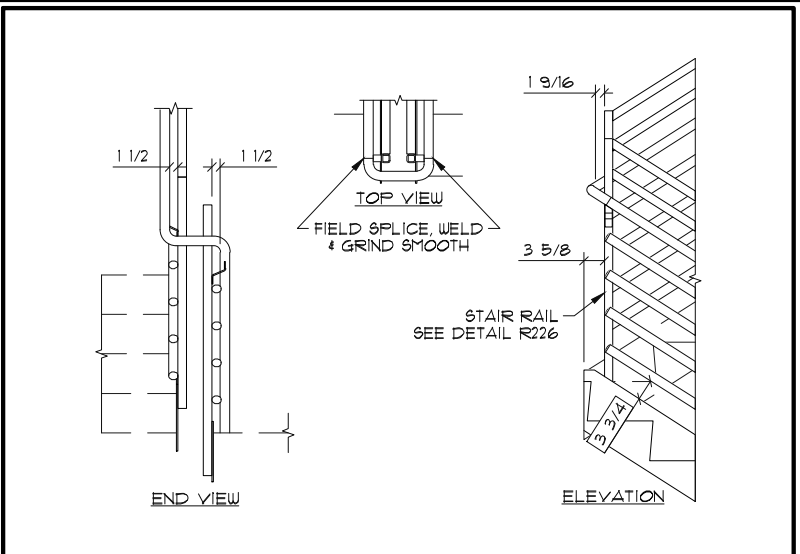
STD. PIPE
R217



PACIFIC STAIR CORPORATION
 8690 Star Way NE Salem, OR 97305
 www.pacificstair.com 1 503.390.8305

RAIL WITH STANDARD TOP - STANDARD BOTTOM
 1. POST AND TOP LINE MATERIAL TO BE H85 1 1/2" x 1 1/2" x 0.120"
 2. HANDRAIL & MID LINE MATERIAL TO BE 1 1/2" (1.66" O.D.) PIPE

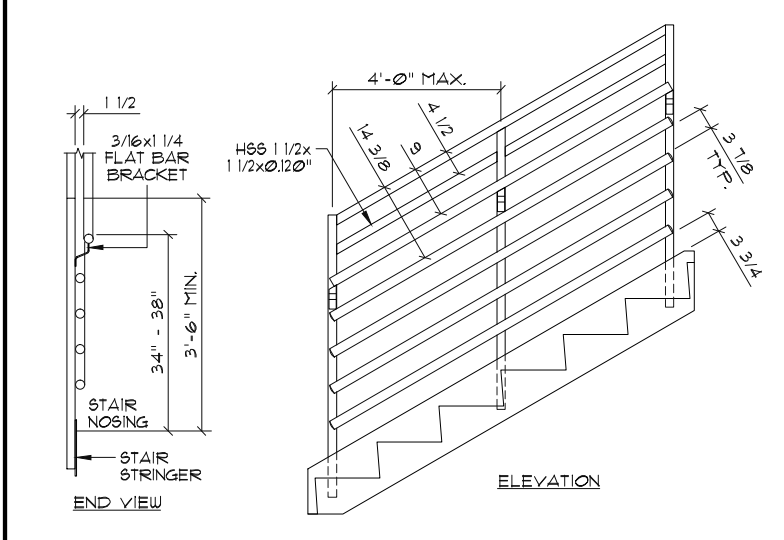
STD. PIPE
R220



PACIFIC STAIR CORPORATION
 8690 Star Way NE Salem, OR 97305
 www.pacificstair.com 1 503.390.8305

RAIL WITH STANDARD TOP - EXTENDED BOTTOM
 1. POST AND TOP LINE MATERIAL TO BE H85 1 1/2" x 1 1/2" x 0.120"
 2. HANDRAIL & MID LINE MATERIAL TO BE 1 1/2" (1.66" O.D.) PIPE

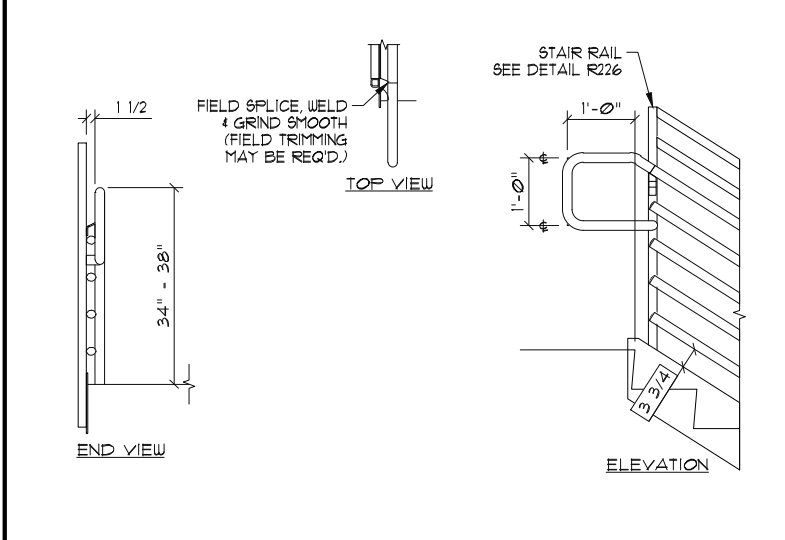
STD. PIPE
R221



PACIFIC STAIR CORPORATION
 8690 Star Way NE Salem, OR 97305
 www.pacificstair.com 1 503.390.8305

STAIR RAIL CONSTRUCTION
 1. POST AND TOP LINE MATERIAL TO BE H85 1 1/2" x 1 1/2" x 0.120"
 2. HANDRAIL & MID LINE MATERIAL TO BE 1 1/2" (1.66" O.D.) PIPE

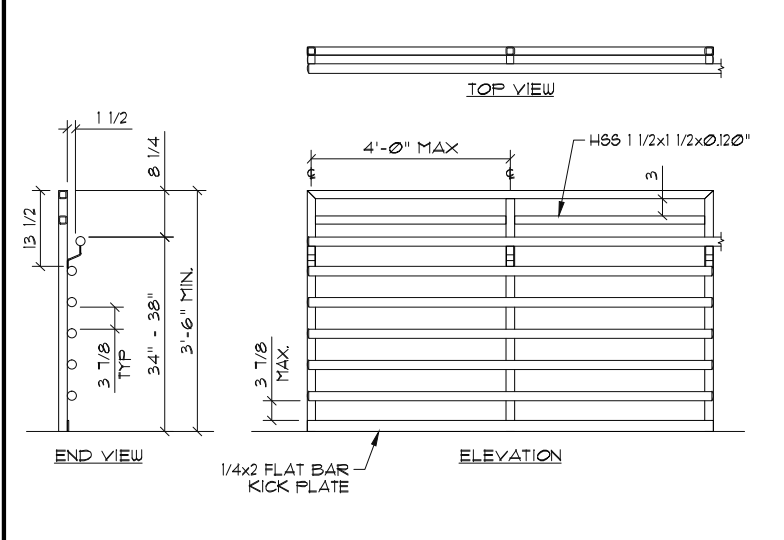
STD. PIPE
R226



PACIFIC STAIR CORPORATION
 8690 Star Way NE Salem, OR 97305
 www.pacificstair.com 1 503.390.8305

TOP GUARD RAIL WITH STANDARD HANDRAIL RETURN
 1. POST AND TOP LINE MATERIAL TO BE H85 1 1/2" x 1 1/2" x 0.120"
 2. HANDRAIL & MID LINE MATERIAL TO BE 1 1/2" (1.66" O.D.) PIPE

STD. PIPE
R231



PACIFIC STAIR CORPORATION
 8690 Star Way NE Salem, OR 97305
 www.pacificstair.com 1 503.390.8305

STANDARD GUARD RAIL WITH HANDRAIL
 1. POST AND TOP LINE MATERIAL TO BE H85 1 1/2" x 1 1/2" x 0.120"
 2. HANDRAIL & MID LINE MATERIAL TO BE 1 1/2" (1.66" O.D.) PIPE

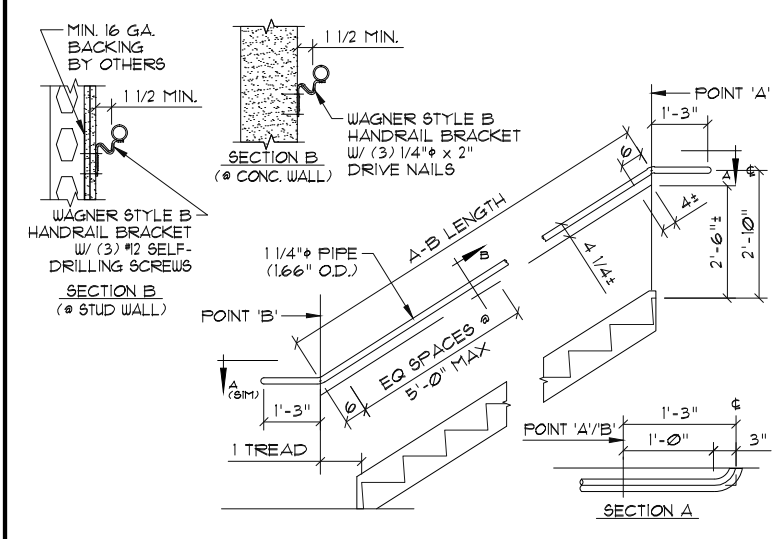
STD. PIPE
R237



PACIFIC STAIR CORPORATION
 8690 Star Way NE Salem, OR 97305
 www.pacificstair.com 1 503.390.8305

RAIL WITH STANDARD TOP - EXTENDED BOTTOM
 1. POST AND TOP LINE MATERIAL TO BE H85 1 1/2" x 1 1/2" x 0.120"
 2. HANDRAIL & MID LINE MATERIAL TO BE 1 1/2" (1.66" O.D.) PIPE

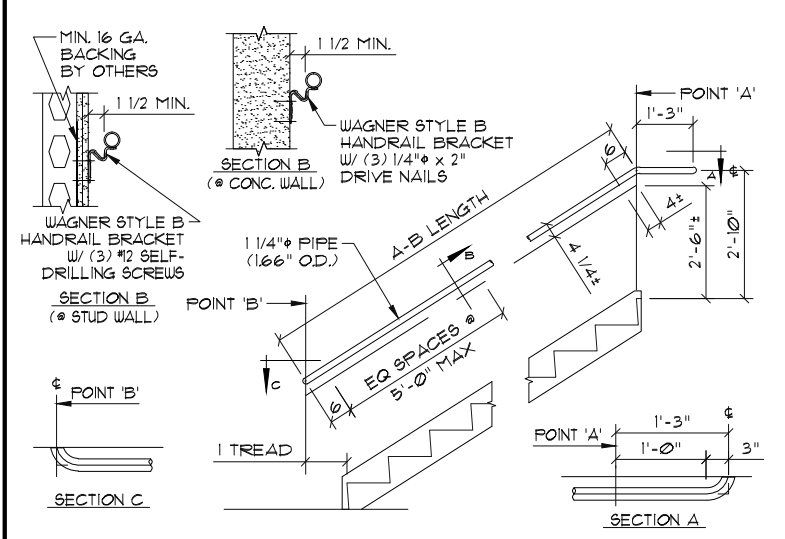
STD. PIPE
R222



PACIFIC STAIR CORPORATION
 8690 Star Way NE Salem, OR 97305
 www.pacificstair.com 1 503.390.8305

WALL RAIL WITH BOTTOM LEVEL OFF
 1. HANDRAIL TO BE 1 1/2" (1.66" O.D.) PIPE
 2. STANDARD WAGNER STYLE B HANDRAIL BRACKET

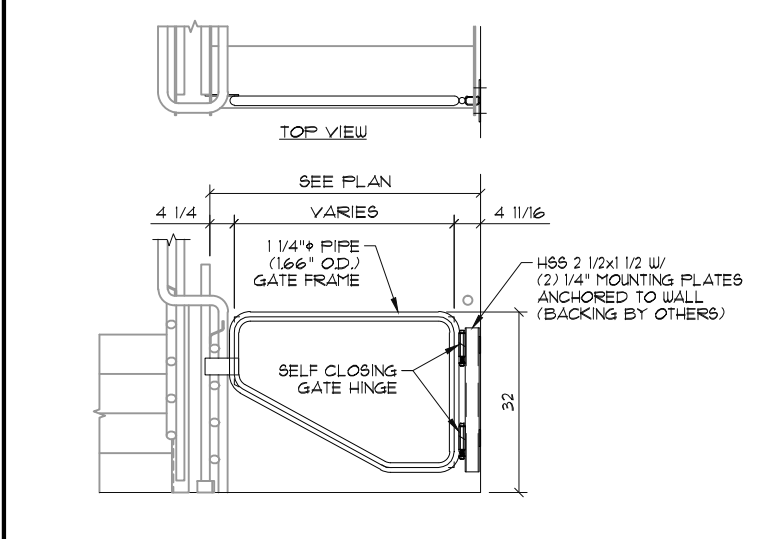
MISC.
R001



PACIFIC STAIR CORPORATION
 8690 Star Way NE Salem, OR 97305
 www.pacificstair.com 1 503.390.8305

WALL RAIL WITH OUT BOTTOM LEVEL OFF
 1. HANDRAIL TO BE 1 1/2" (1.66" O.D.) PIPE
 2. STANDARD WAGNER STYLE B HANDRAIL BRACKET

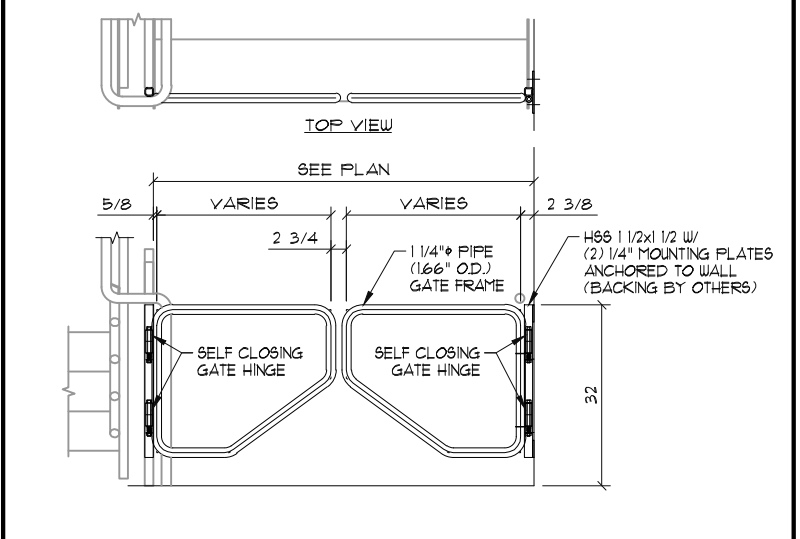
MISC.
R002



PACIFIC STAIR CORPORATION
 8690 Star Way NE Salem, OR 97305
 www.pacificstair.com 1 503.390.8305

SINGLE SWING GATE
 1. GATE MATERIAL TO BE 1 1/2" (1.66" O.D.) PIPE

MISC.
R003



PACIFIC STAIR CORPORATION
 8690 Star Way NE Salem, OR 97305
 www.pacificstair.com 1 503.390.8305

DOUBLE SWING GATE
 1. GATE MATERIAL TO BE 1 1/2" (1.66" O.D.) PIPE

MISC.
R004

R200 SERIES 6-LINE RAIL