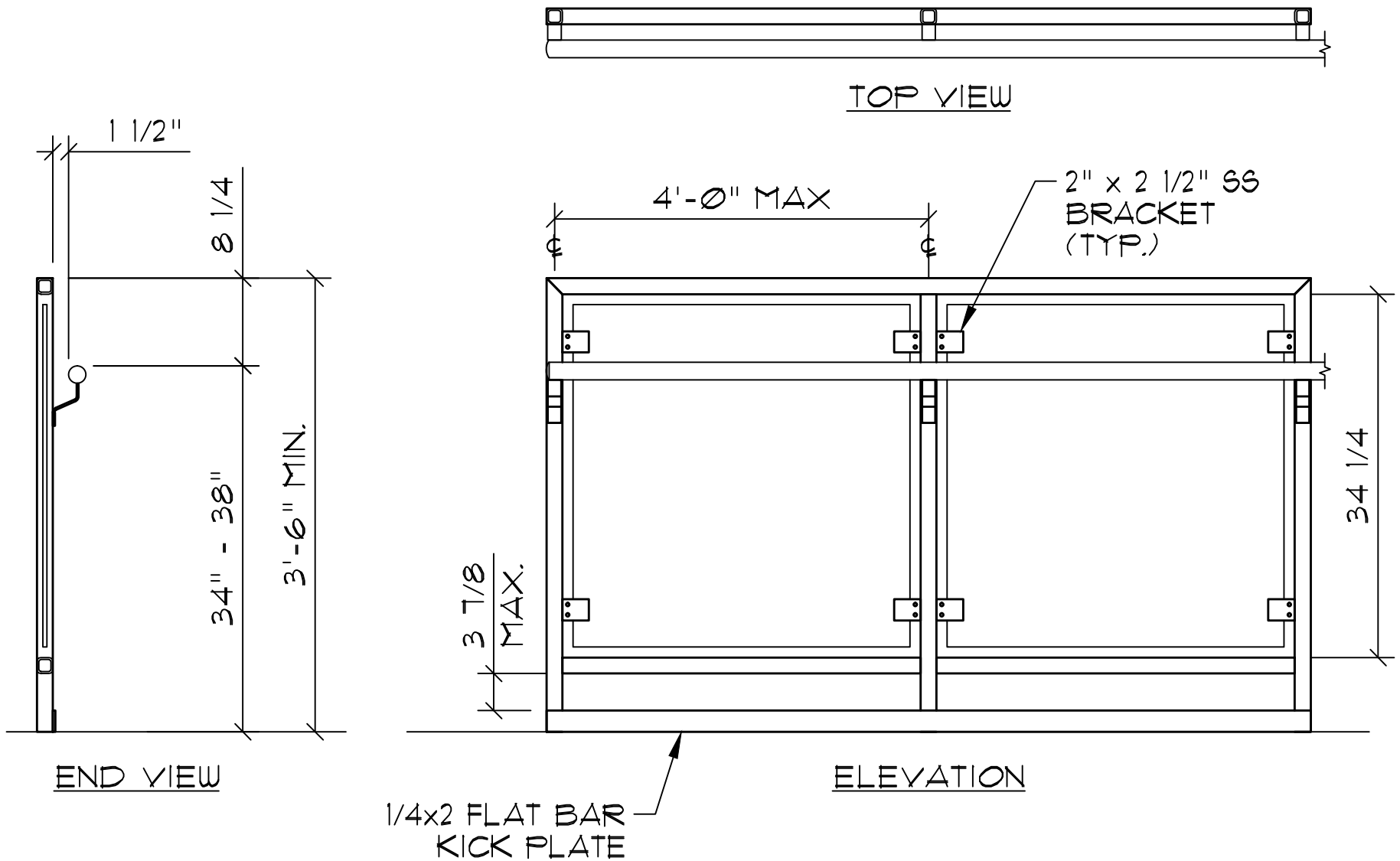


HANDRAIL BRACKET: WAGNER GR32ØF.4  
 PANEL BRACKET: 2" x 2 1/2" SS BRACKET



**STANDARD GUARD RAIL WITH HANDRAIL**

1. POST AND TOP LINE MATERIAL TO BE HSS 1 1/2" x 1 1/2" x Ø.120"
2. HANDRAIL MATERIAL TO BE 1 1/2"Ø SS TUBE
3. PANEL TO BE 3/8" TEMPERED GLASS

GLASS

**R837**