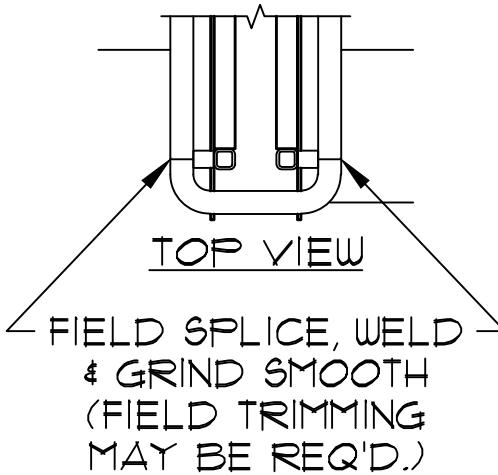
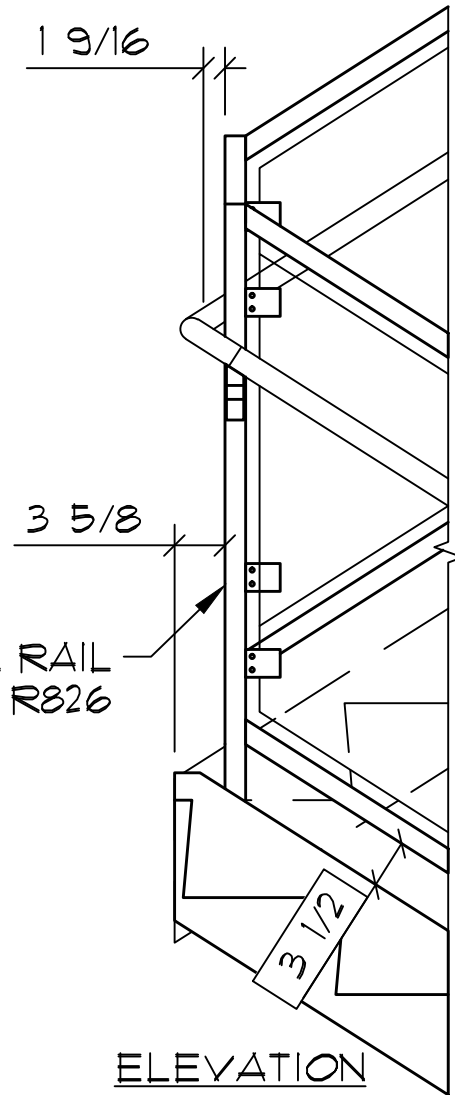


END VIEW



TOP VIEW

STAIR RAIL
SEE DETAIL R826



ELEVATION



8690 Stair Way NE Salem, OR 97305
www.pacificstair.com | 503.390.8305

RAIL WITH STANDARD TOP - EXTENDED BOTTOM

1. POST AND TOP LINE MATERIAL TO BE HSS 1 1/2" x 1 1/2" x ϕ .120"
2. HANDRAIL MATERIAL TO BE 1 1/2" ϕ SS TUBE
3. PANEL TO BE 3/8" TEMPERED GLASS

GLASS

R821