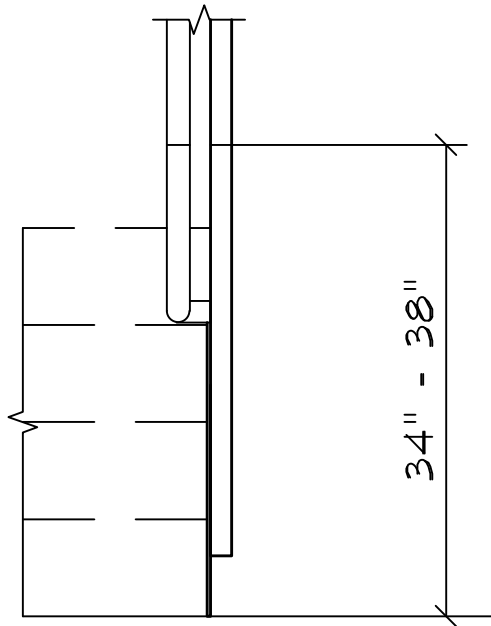
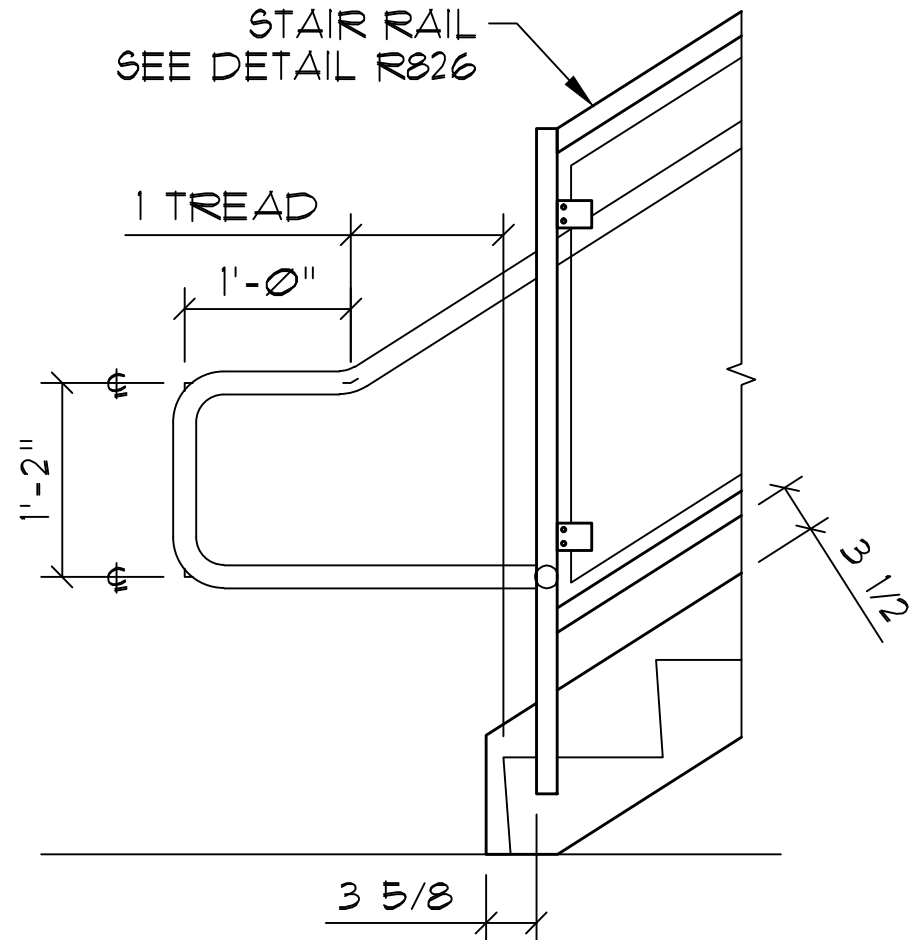


FIELD SPLICE, WELD  
& GRIND SMOOTH  
(FIELD TRIMMING  
MAY BE REQ'D.)

TOP VIEW



END VIEW



ELEVATION

**PACIFIC STAIR**  
CORPORATION®  
8690 Stair Way NE Salem, OR 97305  
www.pacificstair.com | 503.390.8305

**STARTER RAIL WITH LEVEL OFF HANDRAIL**

1. POST AND TOP LINE MATERIAL TO BE HSS 1 1/2" x 1 1/2" x 0.120"
2. HANDRAIL MATERIAL TO BE 1 1/2"φ SS TUBE
3. PANEL TO BE 3/8" TEMPERED GLASS

GLASS

**R817**