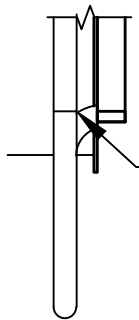
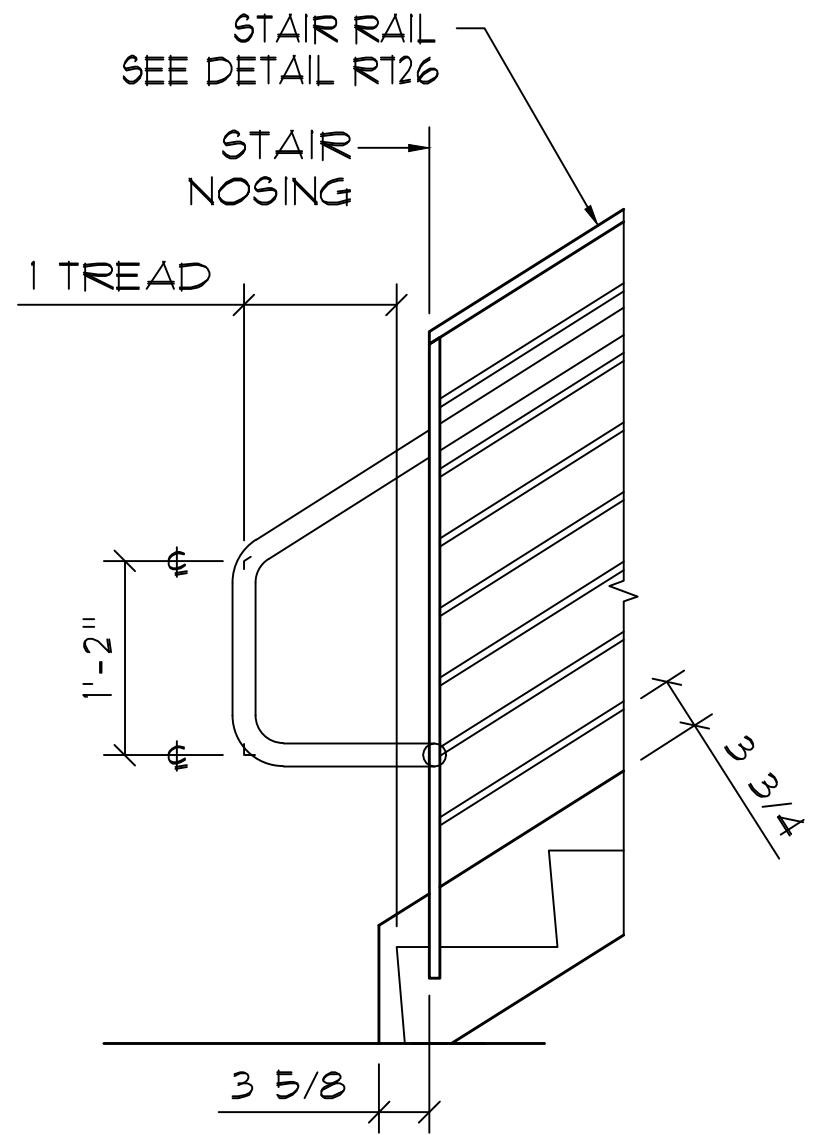


END VIEW

TOP VIEW



FIELD SPLICE, WELD & GRIND SMOOTH (FIELD TRIMMING MAY BE REQ'D.)



ELEVATION

PACIFIC STAIR
CORPORATION®
8690 Stair Way NE Salem, OR 97305
www.pacificstair.com | 503.390.8305

STARTER RAIL WITH OUT LEVEL OFF HANDRAIL
 1. POST AND TOP LINE MATERIAL TO BE 3/4" x 2" FLAT BAR
 2. HANDRAIL MATERIAL TO BE 1 1/2"φ (1.66" O.D.) PIPE
 3. ROD MATERIAL TO BE 1/2" ROUND BAR

ROD
R711