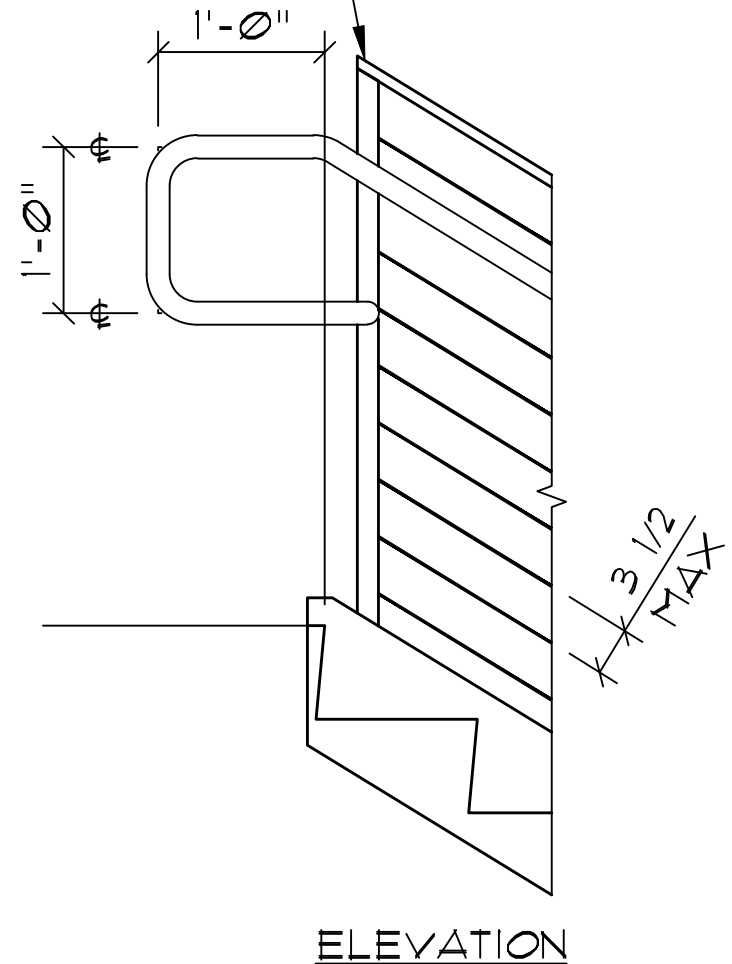


STAIR RAIL  
SEE DETAIL R626



**TOP GUARD RAIL WITH STANDARD HANDRAIL RETURN**

1. END POST 1 1/2" SQ. BAR, MID POSTS AND TOP LINE TO BE 3/4" x 2" FLAT BAR
2. HANDRAIL MATERIAL TO BE 1 1/2"φ (1.66" O.D.) PIPE
3. CABLE TO BE 3/16" SS WIRE ROPE

CABLE

**R631**