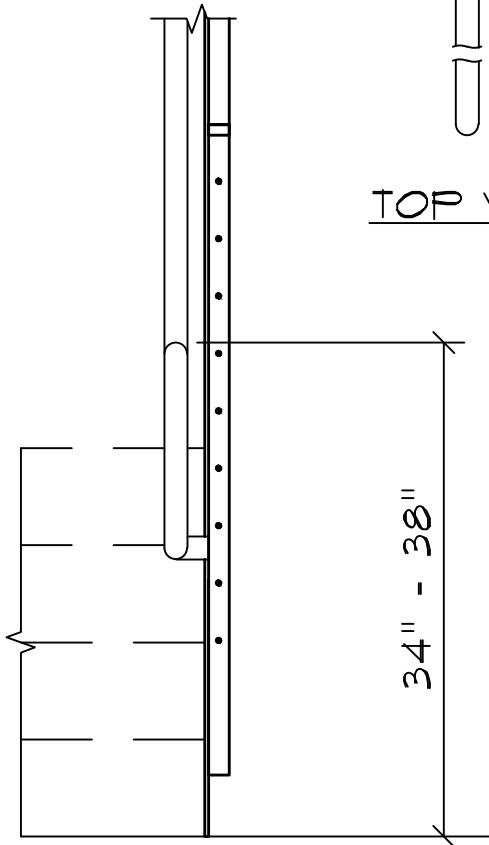


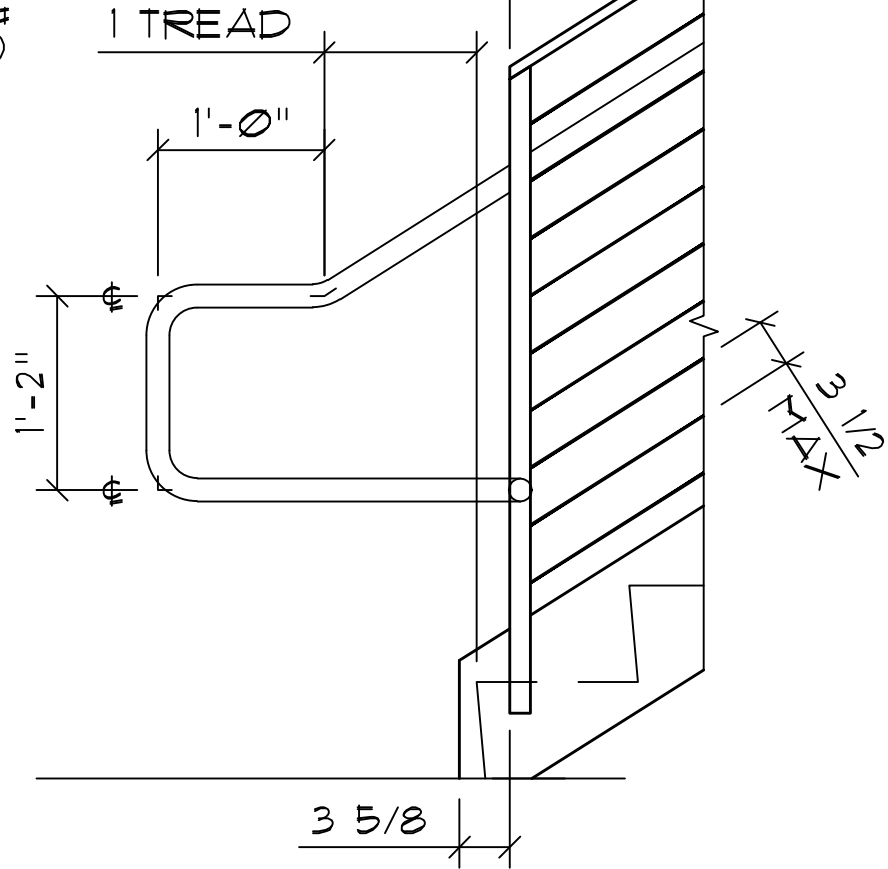
TOP VIEW



END VIEW

STAIR RAIL
SEE DETAIL R626

STAIR
NOSING



ELEVATION



8690 Stair Way NE Salem, OR 97305
www.pacificstair.com | 503.390.8305

STARTER RAIL WITH LEVEL OFF HANDRAIL

1. END POST 1 1/2" SQ. BAR, MID POSTS AND TOP LINE TO BE 3/4" x 2" FLAT BAR
2. HANDRAIL MATERIAL TO BE 1 1/2" ϕ (1.66" O.D.) PIPE
3. CABLE TO BE 3/16" SS WIRE ROPE

CABLE

R617