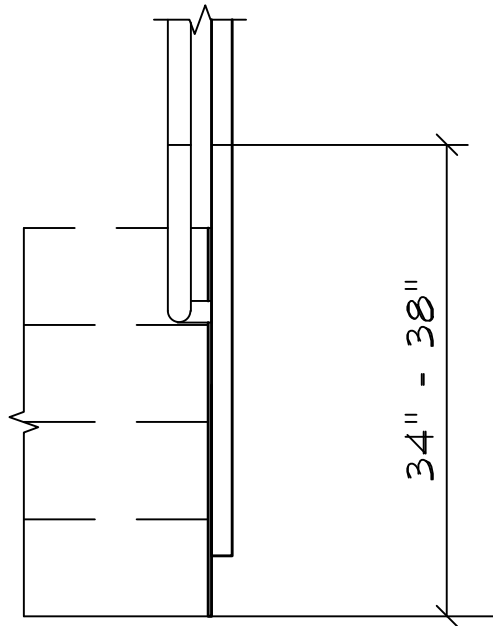
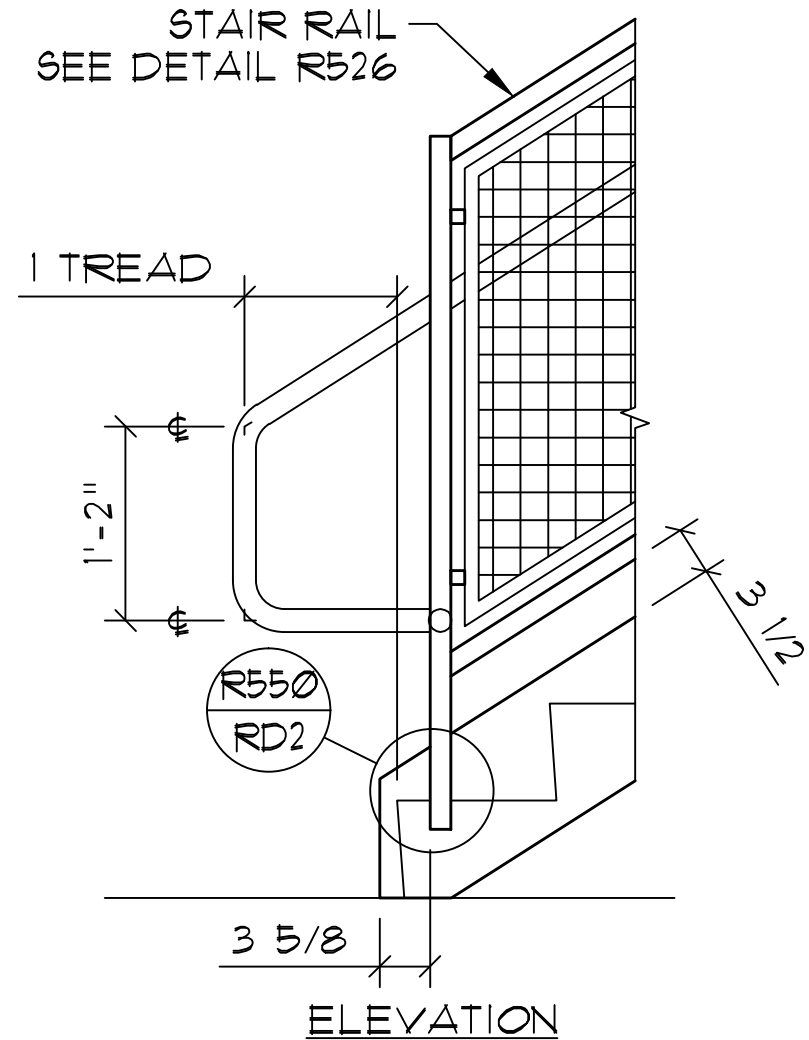


TOP VIEW



END VIEW



8690 Stair Way NE Salem, OR 97305
www.pacificstair.com | 503.390.8305

STARTER RAIL WITH OUT LEVEL OFF HANDRAIL

1. POST AND TOP LINE MATERIAL TO BE HSS 1 1/2" x 1 1/2" x 0.120"
2. HANDRAIL MATERIAL TO BE 1 1/2"φ (1.66" O.D.) PIPE
3. PANEL TO BE 8 GA. x 2" SQUARE WIRE MESH

WIRE MESH

R511