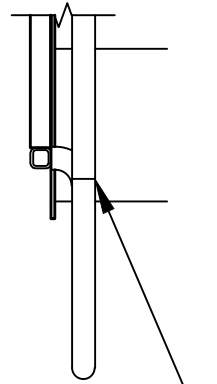


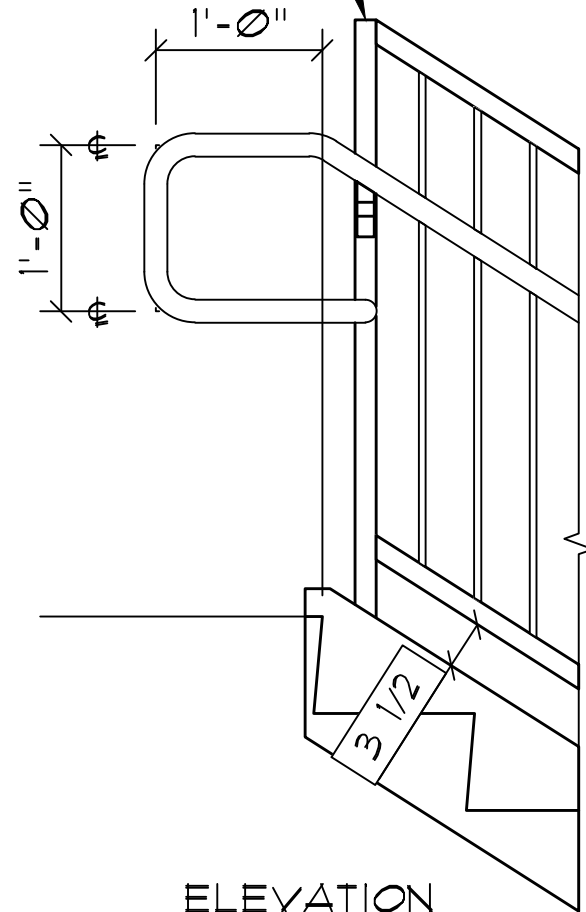
END VIEW



TOP VIEW

FIELD SPLICE, WELD  
& GRIND SMOOTH  
(FIELD TRIMMING  
MAY BE REQ'D.)

STAIR RAIL  
SEE DETAIL R426



ELEVATION

 **PACIFIC STAIR**  
CORPORATION®

8690 Stair Way NE Salem, OR 97305  
www.pacificstair.com | 503.390.8305

**TOP GUARD RAIL WITH STANDARD HANDRAIL RETURN**

1. POST AND TOP LINE MATERIAL TO BE HSS 1 1/2" x 1 1/2" x  $\phi$ .120"
2. HANDRAIL MATERIAL TO BE 1 1/2"  $\phi$  (1.66" O.D.) PIPE
3. PICKET MATERIAL TO BE 1/2" SQUARE BAR

PICKET

**R431**