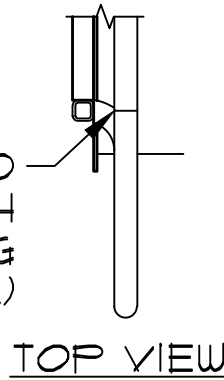
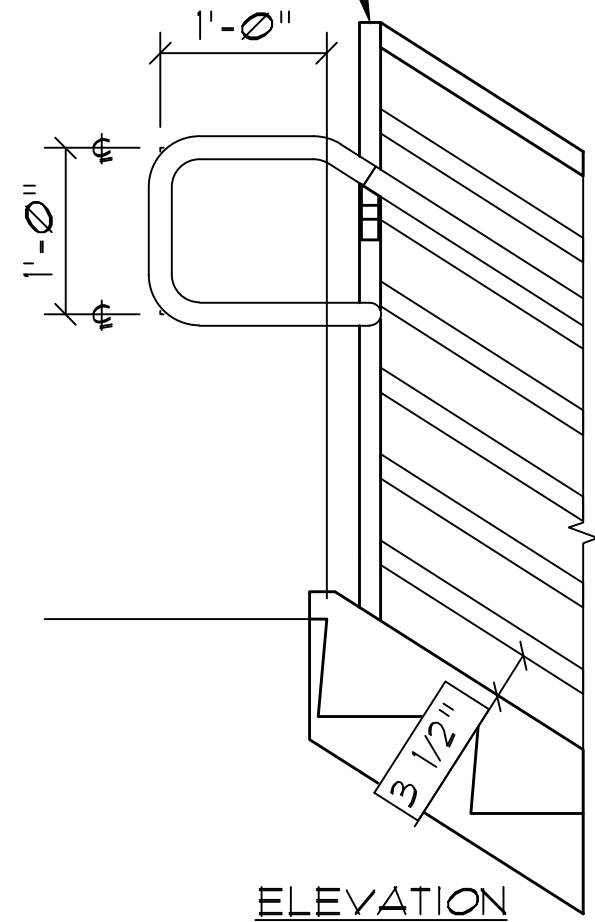


FIELD SPLICE, WELD  
& GRIND SMOOTH  
(FIELD TRIMMING  
MAY BE REQ'D.)



STAIR RAIL  
SEE DETAIL R326



**TOP GUARD RAIL WITH STANDARD HANDRAIL RETURN**

1. POST AND TOP LINE MATERIAL TO BE HSS 1 1/2" x 1 1/2" x  $\phi$ .120"
2. HANDRAIL MATERIAL TO BE 1 1/2"  $\phi$  (1.66" O.D.) PIPE
3. MID LINE MATERIAL TO BE HSS 1 1/2" x 3/4" x  $\phi$ .083"

TUBE

**R331**