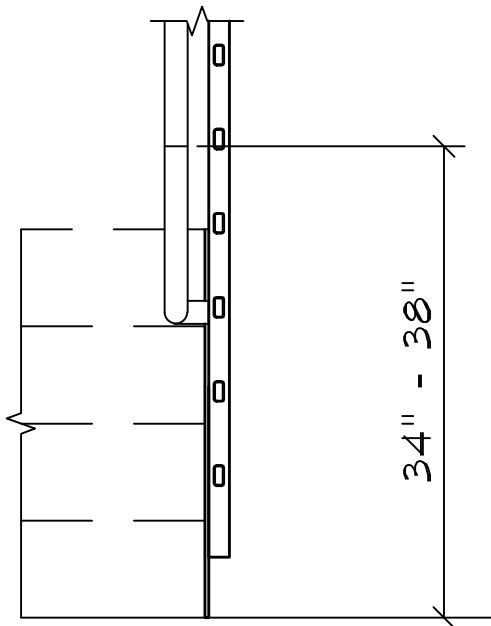
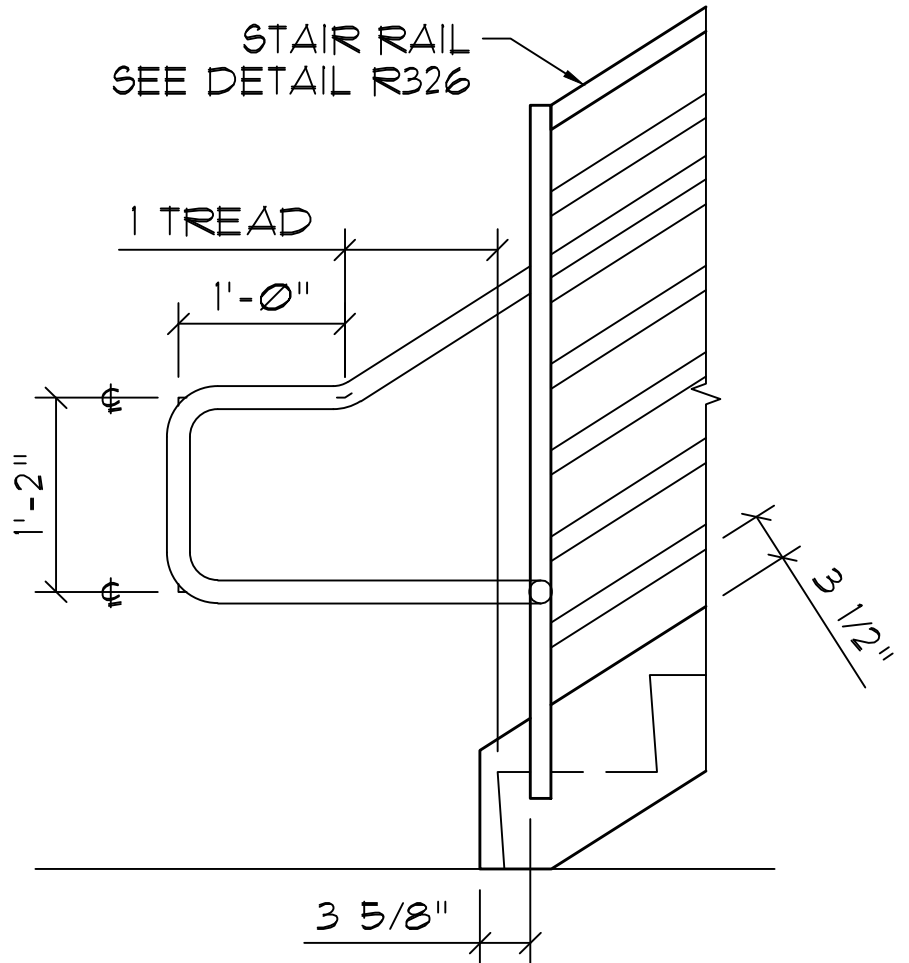


TOP VIEW



END VIEW



ELEVATION

STARTER RAIL WITH LEVEL OFF HANDRAIL

1. POST AND TOP LINE MATERIAL TO BE HSS 1 1/2" x 1 1/2" x 0.120"
2. HANDRAIL MATERIAL TO BE 1 1/2"φ (1.66" O.D.) PIPE
3. MID LINE MATERIAL TO BE HSS 1 1/2" x 3/4" x 0.083"

TUBE

R317