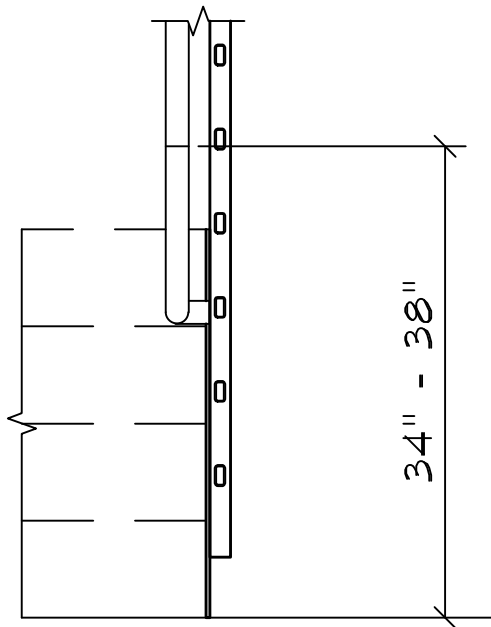
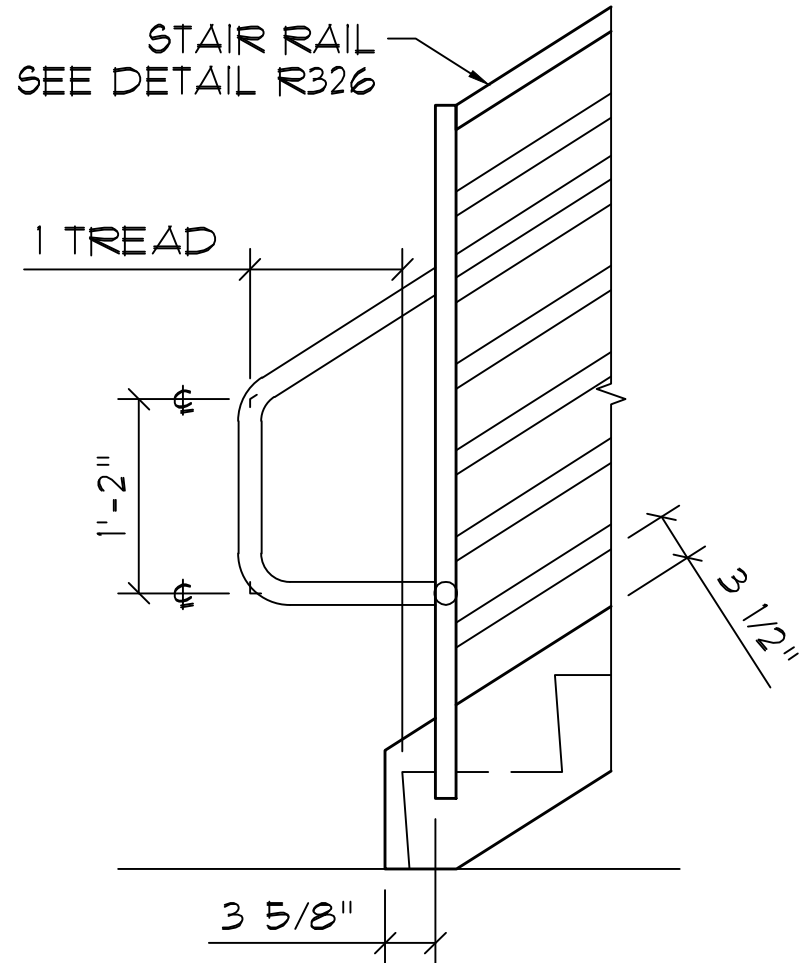




TOP VIEW



END VIEW



ELEVATION



8690 Stair Way NE Salem, OR 97305  
www.pacificstair.com | 503.390.8305

**STARTER RAIL WITH OUT LEVEL OFF HANDRAIL**

1. POST AND TOP LINE MATERIAL TO BE HSS 1 1/2" x 1 1/2" x 0.120"
2. HANDRAIL MATERIAL TO BE 1 1/2"φ (1.66" O.D.) PIPE
3. MID LINE MATERIAL TO BE HSS 1 1/2" x 3/4" x 0.083"

TUBE

**R311**