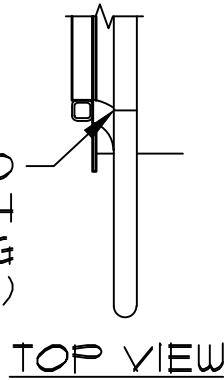
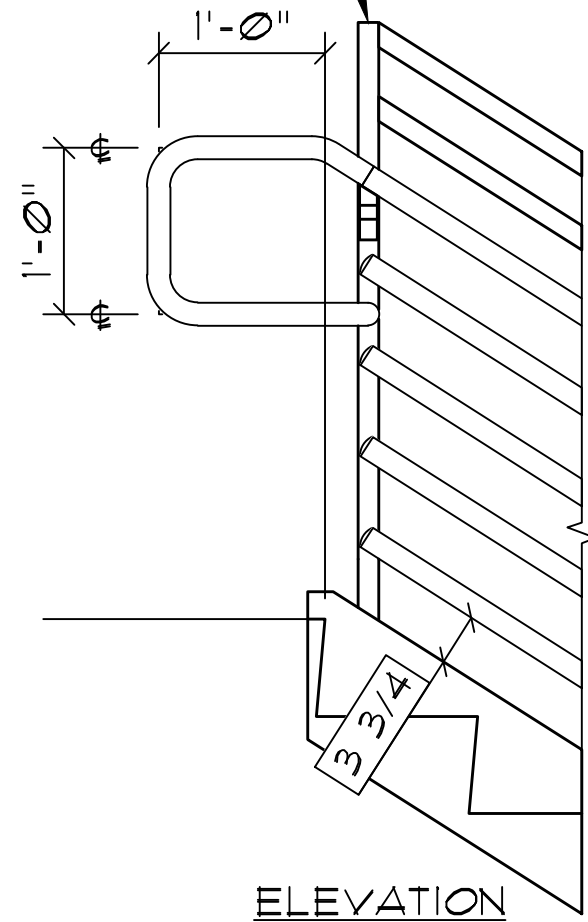


FIELD SPLICE, WELD
& GRIND SMOOTH
(FIELD TRIMMING
MAY BE REQ'D.)



STAIR RAIL
SEE DETAIL R226



TOP GUARD RAIL WITH STANDARD HANDRAIL RETURN

1. POST AND TOP LINE MATERIAL TO BE HSS 1 1/2" x 1 1/2" x 0.120"
2. HANDRAIL & MID LINE MATERIAL TO BE 1 1/2"φ (1.66" O.D.) PIPE

STD. PIPE

R231