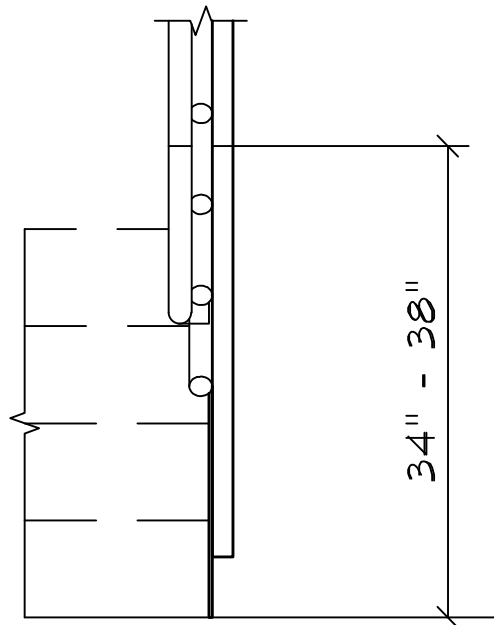
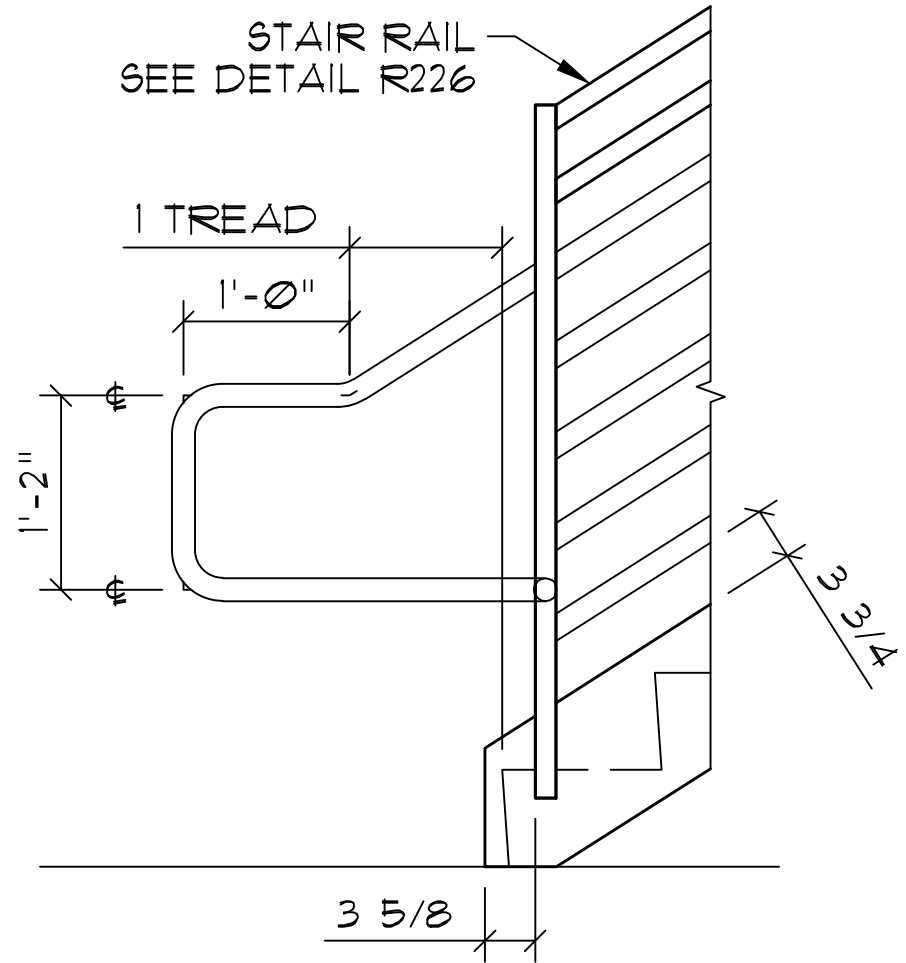


TOP VIEW



END VIEW



ELEVATION



8690 Stair Way NE Salem, OR 97305
www.pacificstair.com | 503.390.8305

STARTER RAIL WITH LEVEL OFF HANDRAIL

1. POST AND TOP LINE MATERIAL TO BE HSS 1 1/2" x 1 1/2" x 0.120"
2. HANDRAIL & MID LINE MATERIAL TO BE 1 1/2"φ (1.66" O.D.) PIPE

STD. PIPE

R217