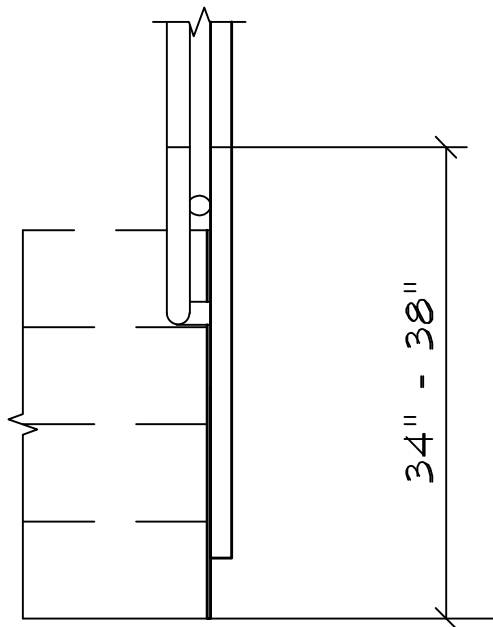
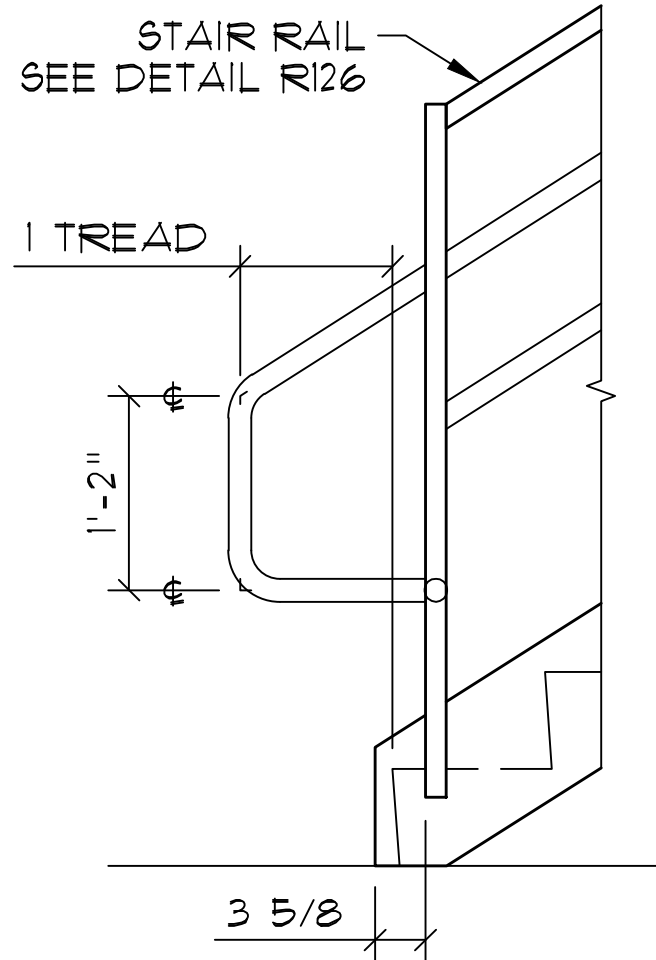


TOP VIEW



END VIEW



ELEVATION

STARTER RAIL WITH OUT LEVEL OFF HANDRAIL

1. POST AND TOP LINE MATERIAL TO BE HSS 1 1/2" x 1 1/2" x 0.120"
2. HANDRAIL & MID LINE MATERIAL TO BE 1 1/2"φ (1.66" O.D.) PIPE