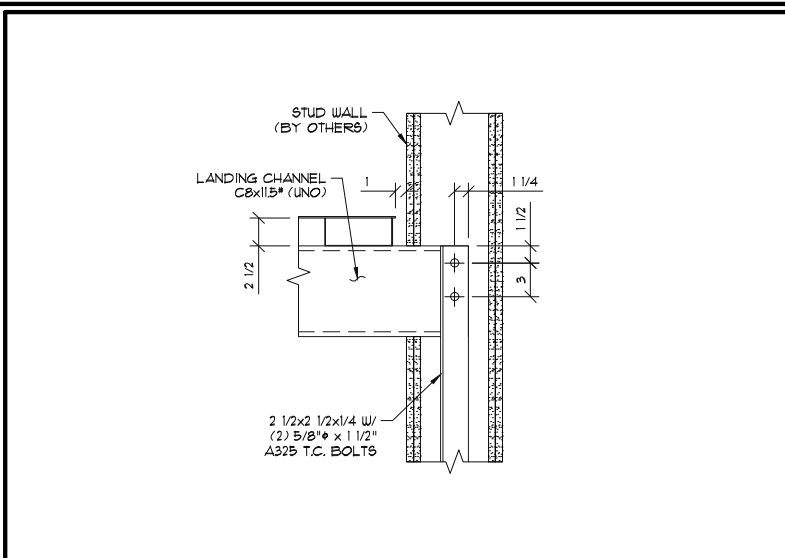


PACIFIC STAIR CORPORATION
 8690 Stair Way NE Salem, OR 97305
 www.pacificstair.com 1.503.390.8305

LANDING CONSTRUCTION

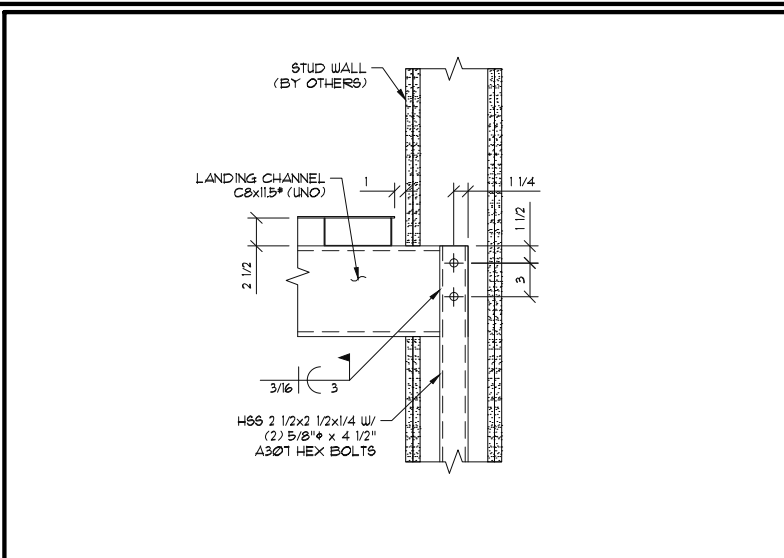
CHECKER IE
L200



PACIFIC STAIR CORPORATION
 8690 Stair Way NE Salem, OR 97305
 www.pacificstair.com 1.503.390.8305

ANGLE POST CONNECTION
 1. SEE L200 FOR LANDING CONSTRUCTION

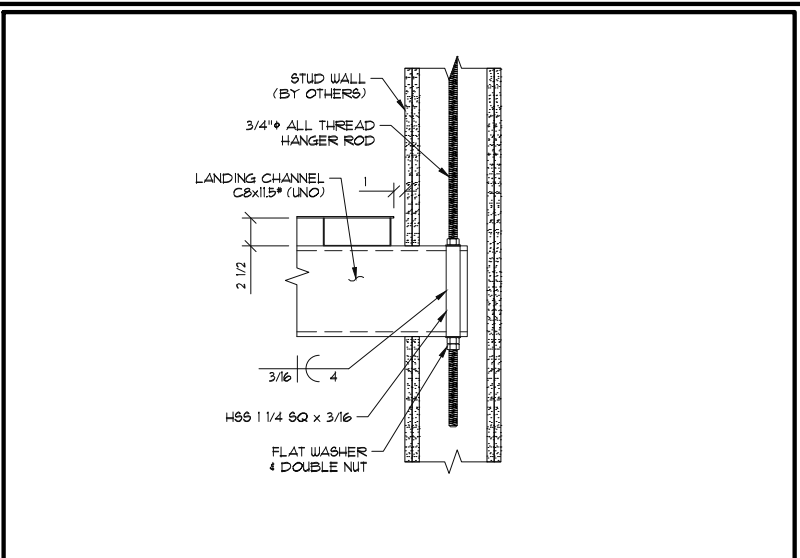
CHECKER IE
L201



PACIFIC STAIR CORPORATION
 8690 Stair Way NE Salem, OR 97305
 www.pacificstair.com 1.503.390.8305

TUBE STEEL POST CONNECTION
 1. SEE L200 FOR LANDING CONSTRUCTION

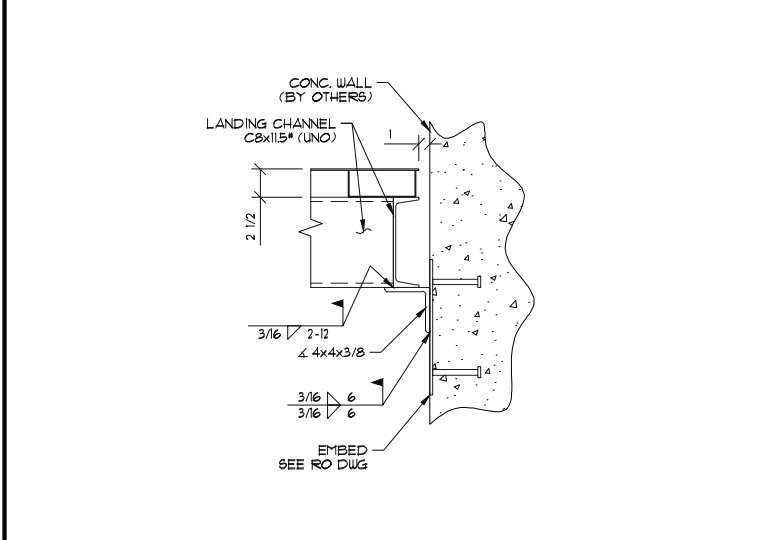
CHECKER IE
L202



PACIFIC STAIR CORPORATION
 8690 Stair Way NE Salem, OR 97305
 www.pacificstair.com 1.503.390.8305

HANGER ROD CONNECTION
 1. SEE L200 FOR LANDING CONSTRUCTION

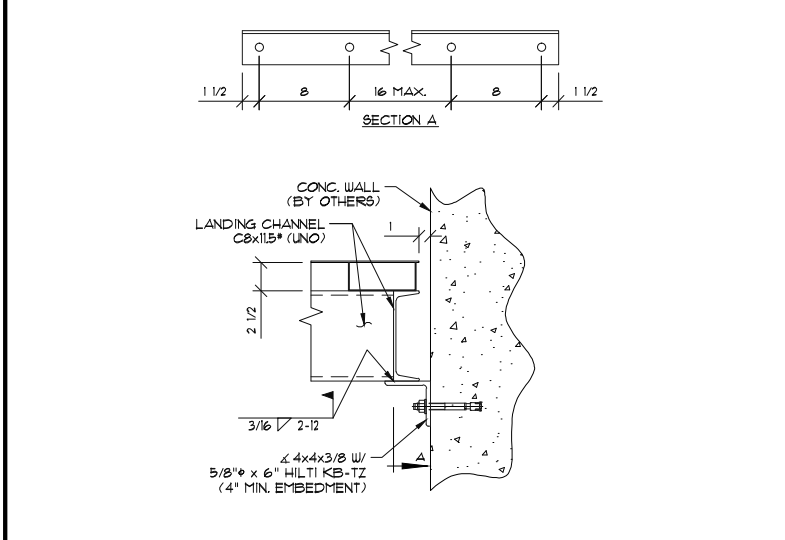
CHECKER IE
L203



PACIFIC STAIR CORPORATION
 8690 Stair Way NE Salem, OR 97305
 www.pacificstair.com 1.503.390.8305

LEDGER ANGLE CONNECTION TO CONCRETE WALL WITH EMBED
 1. SEE L200 FOR LANDING CONSTRUCTION

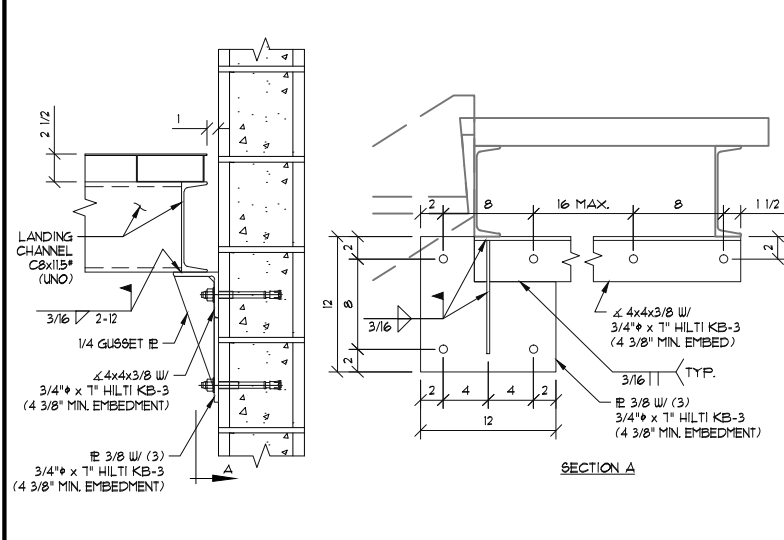
CHECKER IE
L206



PACIFIC STAIR CORPORATION
 8690 Stair Way NE Salem, OR 97305
 www.pacificstair.com 1.503.390.8305

LEDGER ANGLE CONNECTION TO CONCRETE WALL WITH ANCHOR
 1. SEE L200 FOR LANDING CONSTRUCTION

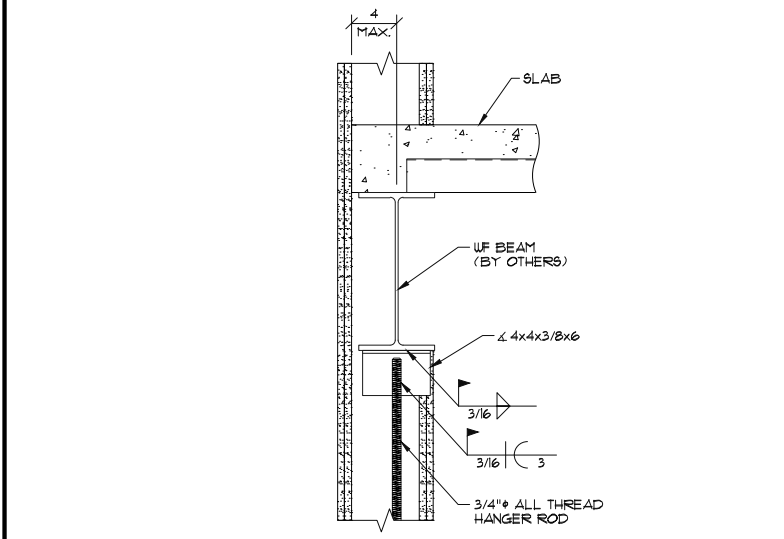
CHECKER IE
L207



PACIFIC STAIR CORPORATION
 8690 Stair Way NE Salem, OR 97305
 www.pacificstair.com 1.503.390.8305

LEDGER ANGLE CONNECTION TO CMU WALL WITH ANCHOR
 1. SEE L200 FOR LANDING CONSTRUCTION
 2. NOTE: HILTI KB3 ANCHORS TO BE INSTALLED PER ICC-ES EVALUATION REPORT ESR-1308

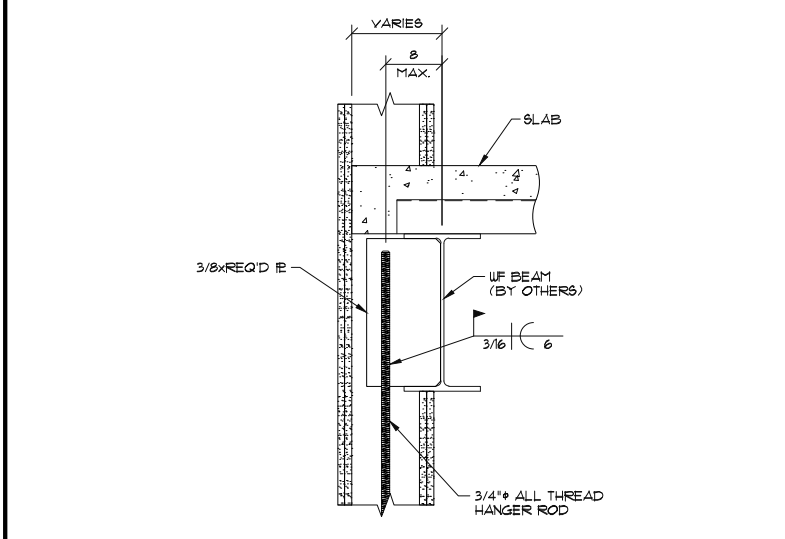
CHECKER IE
L208



PACIFIC STAIR CORPORATION
 8690 Stair Way NE Salem, OR 97305
 www.pacificstair.com 1.503.390.8305

HANGER ROD CONNECTION AT BOTTOM OF STRUCTURAL STEEL
 1. SEE L100-L600 FOR LANDING CONSTRUCTION

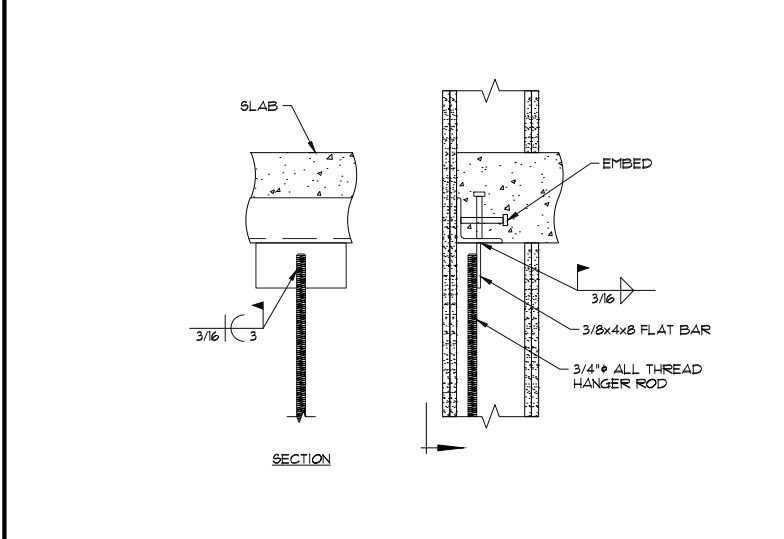
MISC.
L030



PACIFIC STAIR CORPORATION
 8690 Stair Way NE Salem, OR 97305
 www.pacificstair.com 1.503.390.8305

HANGER ROD CONNECTION FROM SIDE OF STRUCTURAL STEEL
 1. SEE L100-L600 FOR LANDING CONSTRUCTION

MISC.
L031



PACIFIC STAIR CORPORATION
 8690 Stair Way NE Salem, OR 97305
 www.pacificstair.com 1.503.390.8305

HANGER ROD CONNECTION TO CONCRETE SLAB WITH EMBED
 1. SEE L100-L600 FOR LANDING CONSTRUCTION

MISC.
L032

L200 SERIES CHECKER PLATE LANDING