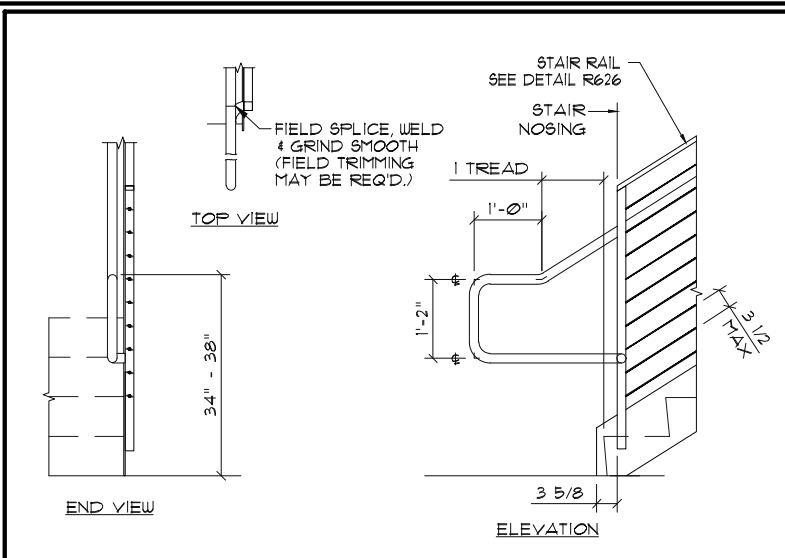


PACIFIC STAIR CORPORATION
 8690 Stair Way NE Salem, OR 97305
 www.pacificstair.com 1 503.390.8305

STARTER RAIL WITH OUT LEVEL OFF HANDRAIL
 1. END POST 1 1/2" SQ. BAR, MID POSTS AND TOP LINE TO BE 3/4" x 2" FLAT BAR
 2. HANDRAIL MATERIAL TO BE 1 1/2" (1.66" O.D.) PIPE
 3. CABLE TO BE 3/16" SS WIRE ROPE

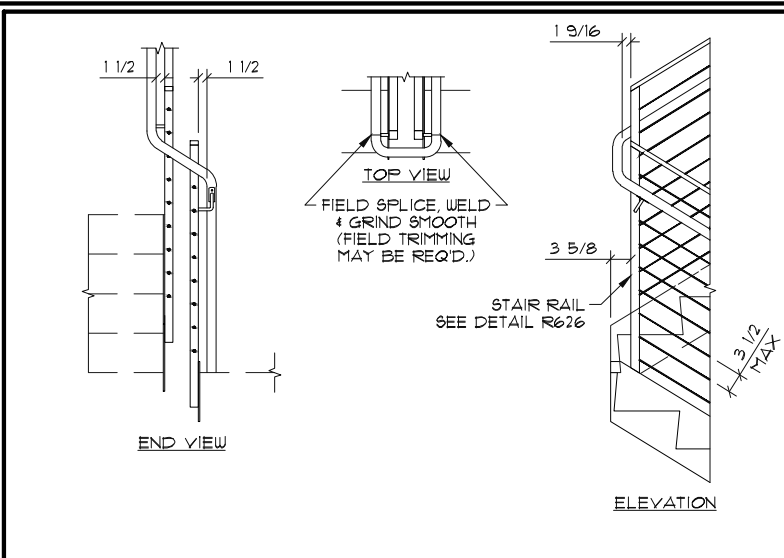
CABLE R611



PACIFIC STAIR CORPORATION
 8690 Stair Way NE Salem, OR 97305
 www.pacificstair.com 1 503.390.8305

STARTER RAIL WITH LEVEL OFF HANDRAIL
 1. END POST 1 1/2" SQ. BAR, MID POSTS AND TOP LINE TO BE 3/4" x 2" FLAT BAR
 2. HANDRAIL MATERIAL TO BE 1 1/2" (1.66" O.D.) PIPE
 3. CABLE TO BE 3/16" SS WIRE ROPE

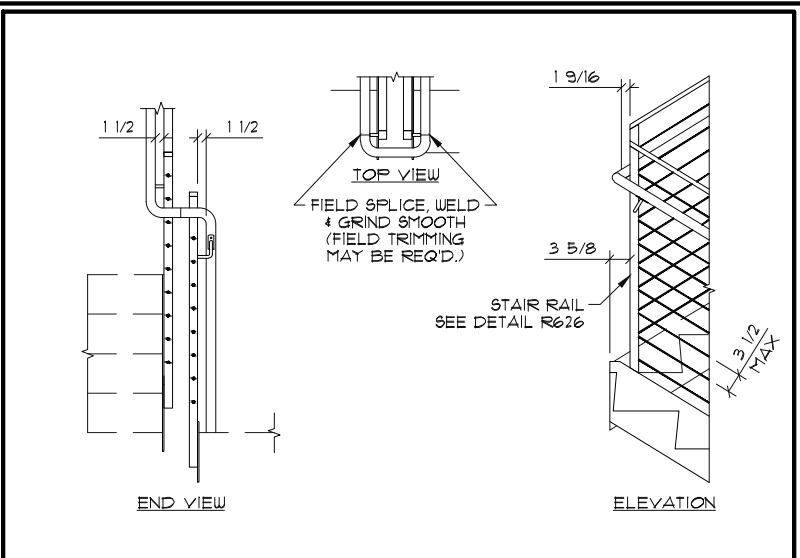
CABLE R617



PACIFIC STAIR CORPORATION
 8690 Stair Way NE Salem, OR 97305
 www.pacificstair.com 1 503.390.8305

RAIL WITH STANDARD TOP - STANDARD BOTTOM
 1. END POST 1 1/2" SQ. BAR, MID POSTS AND TOP LINE TO BE 3/4" x 2" FLAT BAR
 2. HANDRAIL MATERIAL TO BE 1 1/2" (1.66" O.D.) PIPE
 3. CABLE TO BE 3/16" SS WIRE ROPE

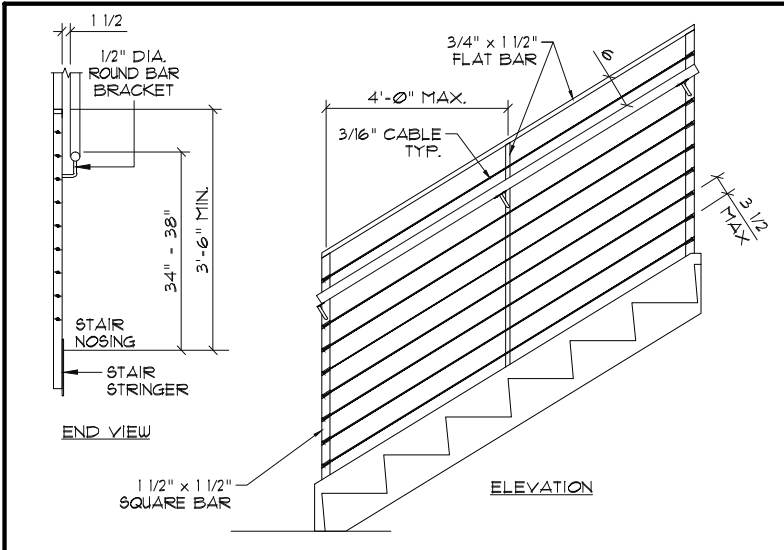
CABLE R620



PACIFIC STAIR CORPORATION
 8690 Stair Way NE Salem, OR 97305
 www.pacificstair.com 1 503.390.8305

RAIL WITH STANDARD TOP - EXTENDED BOTTOM
 1. END POST 1 1/2" SQ. BAR, MID POSTS AND TOP LINE TO BE 3/4" x 2" FLAT BAR
 2. HANDRAIL MATERIAL TO BE 1 1/2" (1.66" O.D.) PIPE
 3. CABLE TO BE 3/16" SS WIRE ROPE

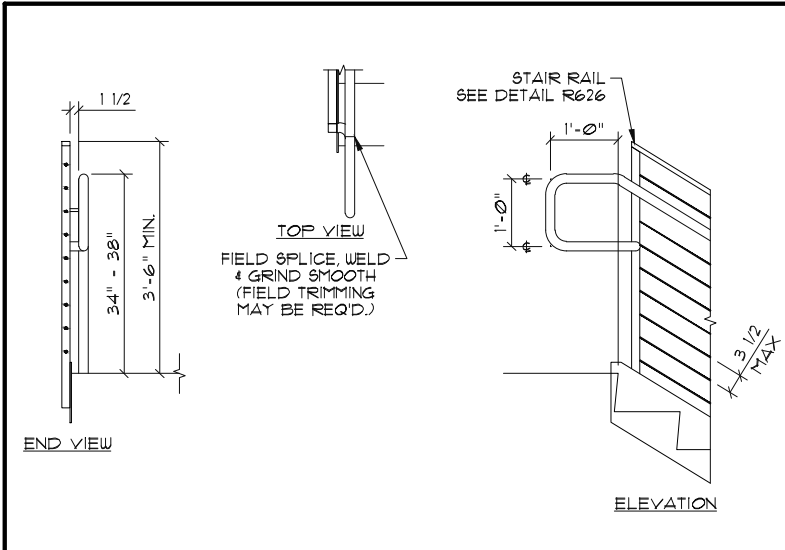
CABLE R621



PACIFIC STAIR CORPORATION
 8690 Stair Way NE Salem, OR 97305
 www.pacificstair.com 1 503.390.8305

STAIR RAIL CONSTRUCTION
 1. END POST 1 1/2" SQ. BAR, MID POSTS AND TOP LINE TO BE 3/4" x 2" FLAT BAR
 2. HANDRAIL MATERIAL TO BE 1 1/2" (1.66" O.D.) PIPE
 3. CABLE TO BE 3/16" SS WIRE ROPE

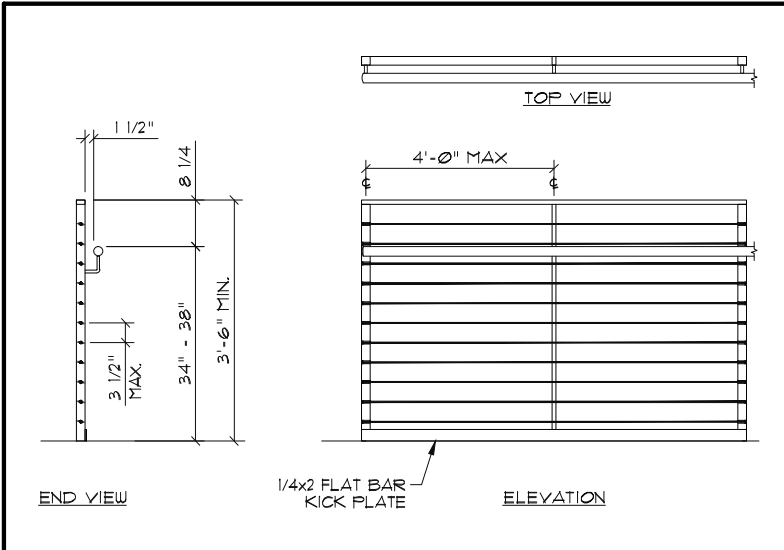
CABLE R626



PACIFIC STAIR CORPORATION
 8690 Stair Way NE Salem, OR 97305
 www.pacificstair.com 1 503.390.8305

TOP GUARD RAIL WITH STANDARD HANDRAIL RETURN
 1. END POST 1 1/2" SQ. BAR, MID POSTS AND TOP LINE TO BE 3/4" x 2" FLAT BAR
 2. HANDRAIL MATERIAL TO BE 1 1/2" (1.66" O.D.) PIPE
 3. CABLE TO BE 3/16" SS WIRE ROPE

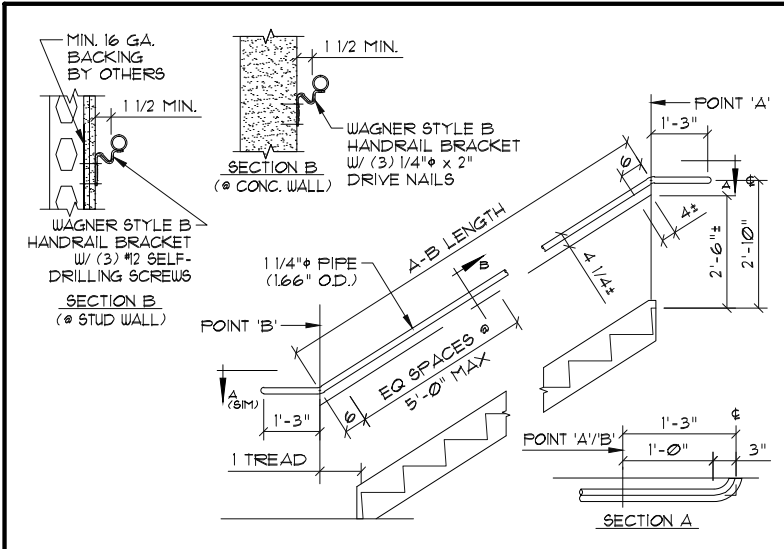
CABLE R631



PACIFIC STAIR CORPORATION
 8690 Stair Way NE Salem, OR 97305
 www.pacificstair.com 1 503.390.8305

STANDARD GUARD RAIL WITH HANDRAIL
 1. END POST 1 1/2" SQ. BAR, MID POSTS AND TOP LINE TO BE 3/4" x 2" FLAT BAR
 2. HANDRAIL MATERIAL TO BE 1 1/2" (1.66" O.D.) PIPE
 3. CABLE TO BE 3/16" SS WIRE ROPE

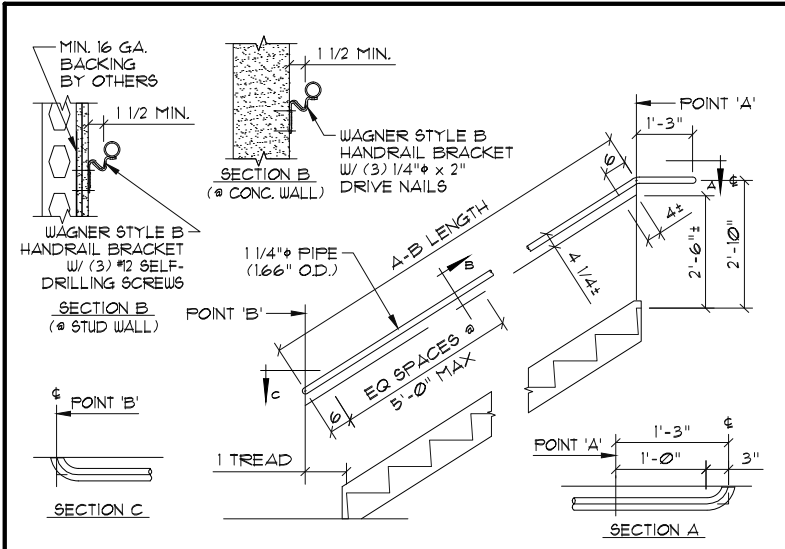
CABLE R637



PACIFIC STAIR CORPORATION
 8690 Stair Way NE Salem, OR 97305
 www.pacificstair.com 1 503.390.8305

WALL RAIL WITH BOTTOM LEVEL OFF
 1. HANDRAIL TO BE 1 1/2" (1.66" O.D.) PIPE
 2. STANDARD WAGNER STYLE B HANDRAIL BRACKET

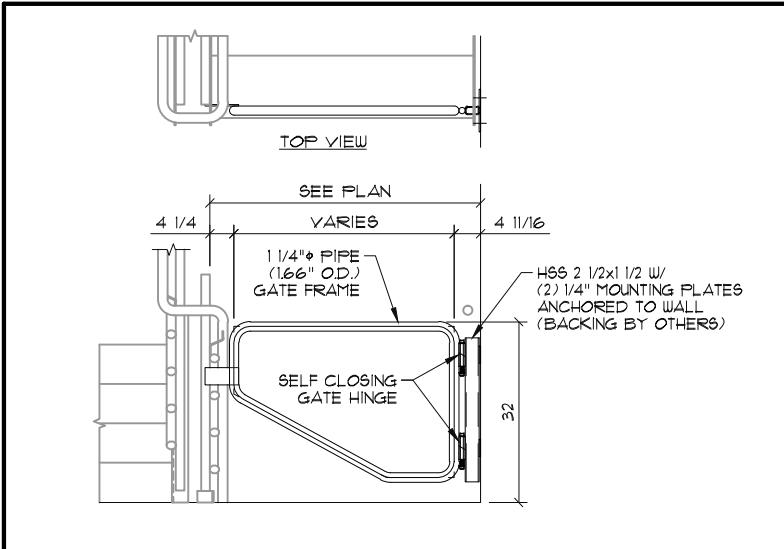
MISC. R001



PACIFIC STAIR CORPORATION
 8690 Stair Way NE Salem, OR 97305
 www.pacificstair.com 1 503.390.8305

WALL RAIL WITH OUT BOTTOM LEVEL OFF
 1. HANDRAIL TO BE 1 1/2" (1.66" O.D.) PIPE
 2. STANDARD WAGNER STYLE B HANDRAIL BRACKET

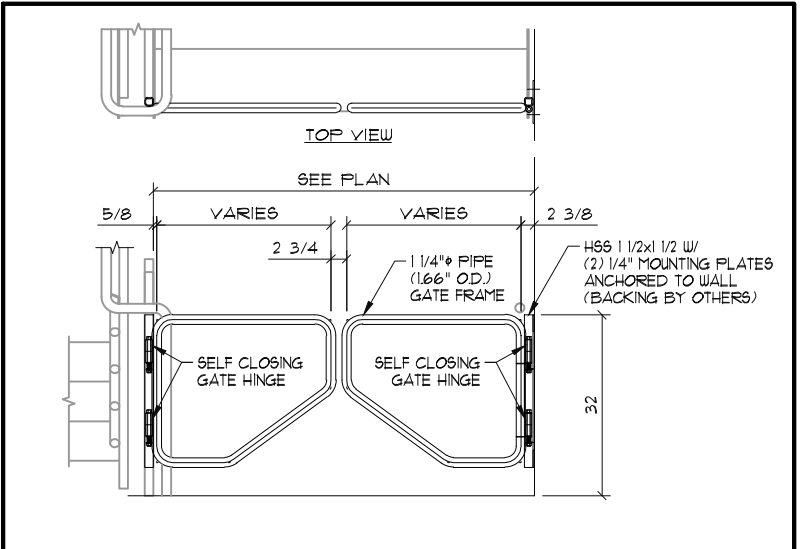
MISC. R002



PACIFIC STAIR CORPORATION
 8690 Stair Way NE Salem, OR 97305
 www.pacificstair.com 1 503.390.8305

SINGLE SWING GATE
 1. GATE MATERIAL TO BE 1 1/2" (1.66" O.D.) PIPE

MISC. R003



PACIFIC STAIR CORPORATION
 8690 Stair Way NE Salem, OR 97305
 www.pacificstair.com 1 503.390.8305

DOUBLE SWING GATE
 1. GATE MATERIAL TO BE 1 1/2" (1.66" O.D.) PIPE

MISC. R004

R600 SERIES CABLE RAIL